

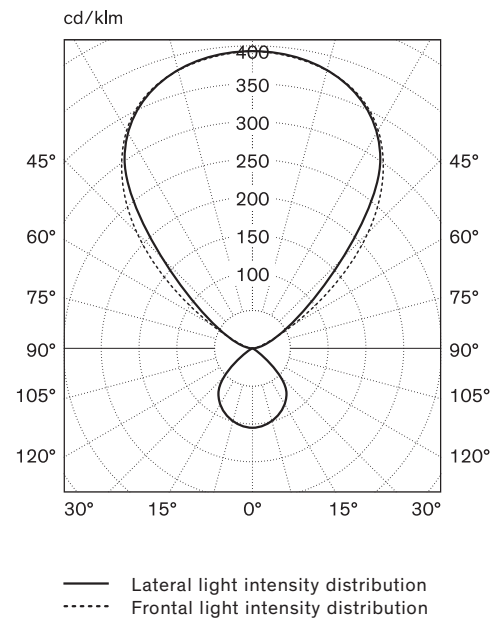


Models	Nr. 41018 4 20 Nr. 41018 3 20
Dimensions	H 52 mm W 112 mm L 380 mm



<b>Contents</b>	LED
Controller	Premium converter
Power requirements	220–240 V, 50–60 Hz
Power input	20 W
Standby	< 0.5 W
Light distribution	20% direct, 80% indirect
<b>Energy efficiency</b>	This product contains light sources of energy efficiency class C
High durability	72,000 hours
Luminous efficiency	2352 lm
Colour rendition index	CRI Ra > 90
Light colour	Neutral white 4000 K, Nr. 41018 4 20 Warm white 3000 K, Nr. 41018 3 20
Glare suppression	Structured acrylic glass, UGR < 20
<b>Operation</b>	DALI
<b>Materials</b>	Lampshade and wallcase in steel, white powder-coated
Cover of illuminant	Structured acrylic glass
Wallcase	Contains driver
Weight	ca. 2.1 kg
<b>Protection rating</b>	IP 20
Test marks	ENEC TÜV SÜD, CE, ROHS
Warranty	2 years, 5 years on LED and converter
<b>Particularities</b>	– Two mounting points for orientation – LED modules according to Zhaga standards (3000 K ca. 10 lm/W less than 4000 K)
<b>Note</b>	

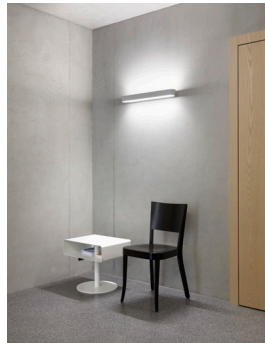
Light intensity distribution





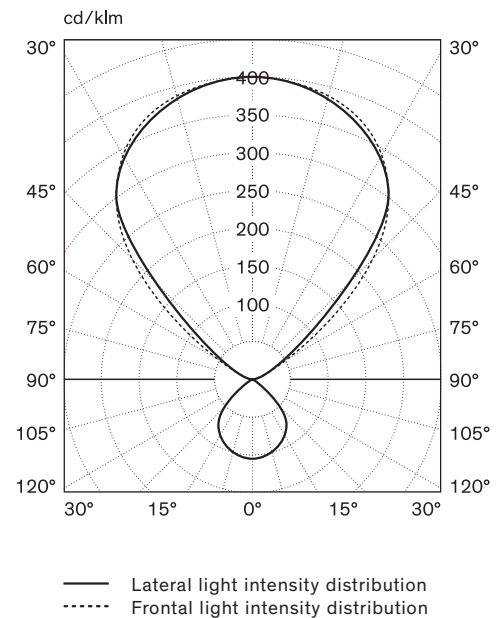
Models Nr. 42010 4 35  
Nr. 42010 3 35

Dimensions H 52 mm  
W 112 mm  
L 623 mm



<b>Contents</b>	<b>LED</b>
Controller	Premium converter
Power requirements	220–240 V, 50–60 Hz
Power input	37 W
Standby	< 0.5 W
Light distribution	20% direct, 80% indirect
<b>Energy efficiency</b>	This product contains light sources of energy efficiency class C
High durability	72,000 hours
Luminous efficiency	4617 lm
Colour rendition index	CRI Ra > 83
Light colour	Neutral white 4000 K, Nr. 42010 4 35 Warm white 3000 K, Nr. 42010 3 35
Glare suppression	Structured acrylic glass, UGR < 20
<b>Operation</b>	<b>DALI</b>
<b>Materials</b>	Lampshade and wallcase in steel, white powder-coated
Cover of illuminant	Structured acrylic glass
Wallcase	Contains driver
Weight	ca. 3.4 kg
<b>Protection rating</b>	<b>IP 20</b>
Test marks	ENEC TÜV SÜD, CE, ROHS
Warranty	2 years, 5 years on LED and converter
<b>Particularities</b>	– Two mounting points for orientation – LED modules according to Zhaga standards (3000 K ca. 10 lm/W less than 4000 K)
<b>Note</b>	

Light intensity distribution



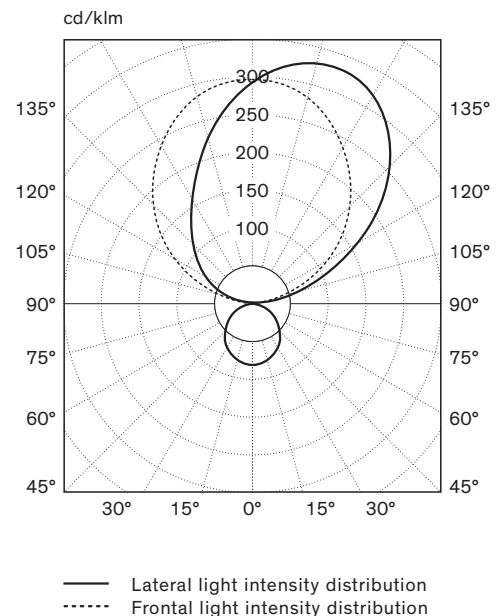


Model	Nr. 51210 4 48
	Nr. 51210 3 48
Dimensions	H 52 mm
	W 126 mm
	L 932 mm



<b>Contents</b>	LED
Controller	Premium converter
Power requirements	220–240 V, 50 Hz
Power input	46 W
Standby	0.5 W
Light distribution	23% direct, 77% indirect
<b>Energy efficiency</b>	This product contains light sources of energy efficiency class c
High durability	72,000 hours
Luminous efficiency	5027 lm
Colour rendition index	CRI Ra > 81*
Light colour	Neutral white 4000 K (Nr. 51210 4 48)
	Warm white 3000 K (Nr. 51210 3 48)
Glare suppression	Opal panel indirect, de-glaring prism with opal film, UGR < 16
<b>Operation</b>	DALI direct and indirect light can be individually switched and dimmed
<b>Materials</b>	Lampshade in steel, white powder-coated
Cover of illuminant	Acrylic glass
Wallcase	Contains driver
Weight	ca. 4.4 kg
Protection rating	IP 43
Test marks	ENEC TÜV SÜD, CE, ROHS, EN 60598–2–25
Warranty	2 years, 5 years on LED and converter
<b>Particularities</b>	– LED modules according to Zhaga standards – Optional with night light 2 W * Optional Ra > 90

Light intensity distribution



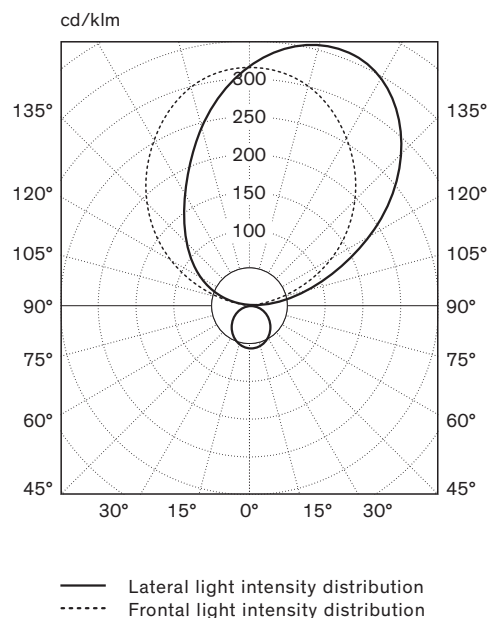


Model	Nr. 51210 4 78 Nr. 51210 3 78
Dimensions	H 52 mm W 126 mm L 932 mm



<b>Contents</b>	LED
Controller	Premium converter
Power requirements	220–240 V, 50 Hz
Power input	68 W
Standby	0.5 W
Light distribution	16% direct, 84% indirect
<b>Energy efficiency</b>	This product contains light sources of energy efficiency class c
High durability	72,000 hours
Luminous efficiency	7108 lm
Colour rendition index	CRI Ra > 81*
Light colour	Neutral white 4000 K (Nr. 51210 4 78) Warm white 3000 K (Nr. 51210 3 78)
Glare suppression	Opal panel indirect, de-glaring prism with opal film, UGR < 14
<b>Operation</b>	DALI direct and indirect light can be individually switched and dimmed, AC night light on-off
<b>Materials</b>	Lampshade in steel, white powder-coated
Cover of illuminant	Acrylic glass
Wallcase	Contains driver
Weight	ca. 4.4 kg
Protection rating	IP 43
Test marks	ENEC TÜV SÜD, CE, ROHS, EN 60598–2–25
Warranty	2 years, 5 years on LED and converter
<b>Particularities</b>	– LED modules according to Zhaga standards – Optional with night light 2 W * Optional Ra > 90

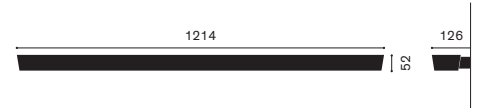
Light intensity distribution





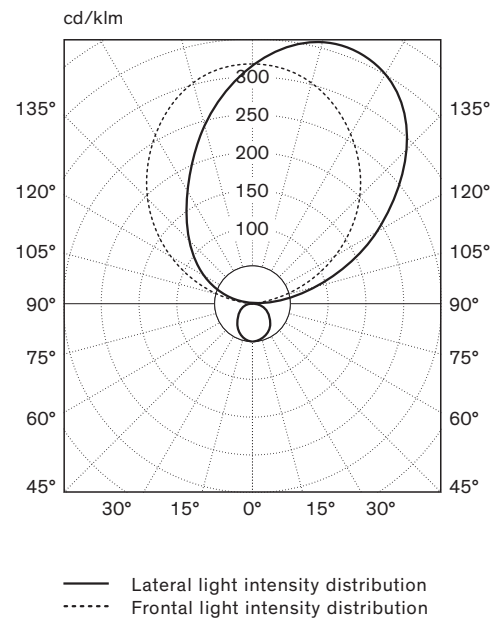


Model	Nr. 52210 4 96 Nr. 52210 3 96
Dimensions	H 52 mm B 126 mm L 1214 mm



<b>Contents</b>	LED
Controller	Premium converter
Power requirements	220–240 V, 50 Hz
Power input	108 W
Standby	0.5 W
Light distribution	14% direct, 86% indirect
<b>Energy efficiency</b>	This product contains light sources of energy efficiency class c
High durability	72,000 hours
Luminous efficiency	10519 lm
Colour rendition index	CRI Ra > 83*
Light colour	Neutral white 4000 K (Nr. 52210 4 96) Warm white 3000 K (Nr. 52210 3 96)
Glare suppression	Opal panel indirect, de-glaring prism with opal film, UGR < 15
<b>Operation</b>	DALI direct and indirect light can be individually switched and dimmed
<b>Materials</b>	Lampshade in steel, white powder-coated
Cover of illuminant	Acrylic glass
Wallcase	Contains driver
Weight	ca. 5.5 kg
Protection rating	IP 43
Test marks	ENEC TÜV SÜD, CE, ROHS, EN 60598–2–25
Warranty	2 years, 5 years on LED and converter
<b>Particularities</b>	– LED modules according to Zhaga standards – Optional with night light 2 W * Optional with Ra > 90
<b>Note</b>	(3000 K ca. 10 lm/W less than 4000 K)

Light intensity distribution



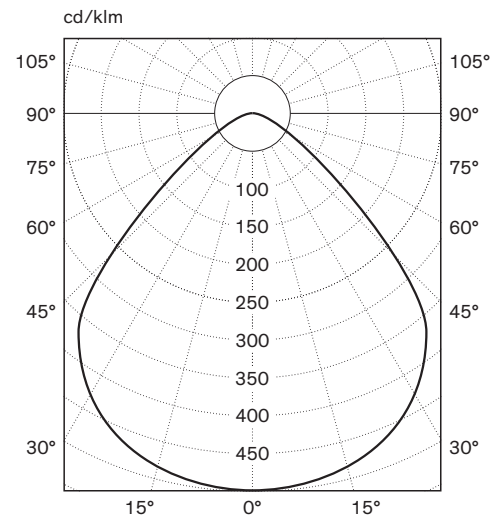


Models	Nr. 46710 4 30 Nr. 46710 3 30
Dimensions	Ø 300 mm H 57 mm



Contents	LED
Controller	ECO converter
Power requirements	220–240 V, 50 Hz
Power input	34 W
Standby	0.5 W
Light distribution	100% direct
Energy efficiency	This product contains a light source of energy efficiency class c
Luminous efficiency	2606 lm
Colour rendition index	CRI Ra > 90
Light colour	Neutral white 4000 K, Nr. 46710 4 30 Warm white 3000 K, Nr. 46710 3 30
Glare suppression	Structured acrylic glass, UGR < 19
Operation	Dimmable, DALI
Materials	Lampshade in steel, powder-coated
Cover of illuminant	Structured acrylic glass
Wallcase	Contains driver
Weight	ca. 1.9 kg
Protection rating	IP 20
Test marks	ENEC TÜV SÜD, CE, ROHS
Warranty	2 years, 5 years on LED and converter
Particularities	– LED modules according to Zhaga standards – Optionally with daylight sensor and presence detector
Note	(3000 K ca. 10 lm/W less than 4000 K)

Light intensity distribution



— Lateral light intensity distribution  
- - - Frontal light intensity distribution



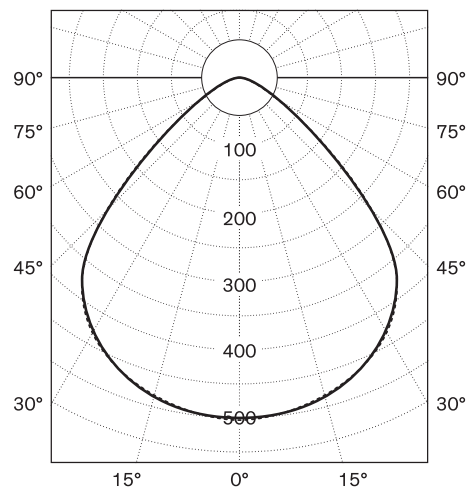
Models	Nr. 47710 4 35 Nr. 47710 3 35
Dimensions	Ø 396 mm H 57 mm



Contents	LED
Controller	ECO converter
Power requirements	220–240 V, 50 Hz
Power input	32 W
Standby	0.5 W
Light distribution	100% direct
Energy efficiency	This product contains a light source of energy efficiency class c
Luminous efficiency	3168 lm
Colour rendition index	CRI Ra > 90
Light colour	Neutral white 4000 K, Nr. 47710 4 35 Warm white 3000 K, Nr. 47710 3 35
Glare suppression	Structured acrylic glass, UGR < 19
Operation	Dimmable, DALI
Materials	Lampshade in steel, powder-coated
Cover of illuminant	Structured acrylic glass
Wallcase	Contains driver
Weight	ca. 2.8 kg
Protection rating	IP 20
Test marks	ENEC TÜV SÜD, CE, ROHS
Warranty	2 years, 5 years on LED and converter
Particularities	– LED modules according to Zhaga standards – Optionally with daylight sensor and presence detector
Note	(3000 K ca. 10 lm/W less than 4000 K)

Light intensity distribution

cd/klm



— Lateral light intensity distribution  
- - - Frontal light intensity distribution

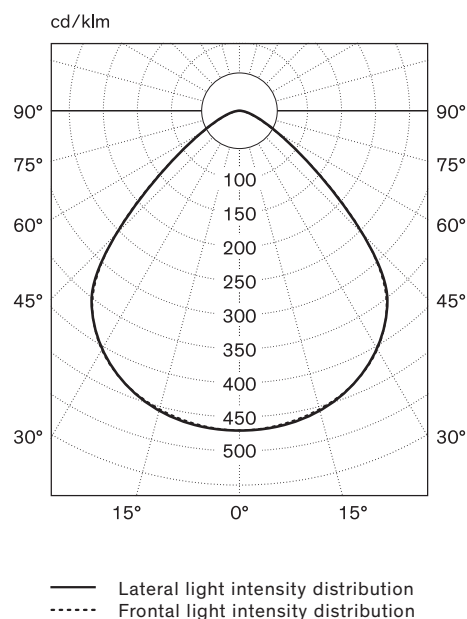


Models	Nr. 50710 4 40 Nr. 50710 3 40
Dimensions	Ø 598 mm H 57 mm



Contents	LED
Controller	Premium converter
Power requirements	220–240 V, 50 Hz
Power input	40 W
Standby	0.5 W
Light distribution	100% direct
Energy efficiency	This product contains light sources of energy efficiency class C
High durability	72,000 hours
Luminous efficiency	5340 lm
Colour rendition index	CRI Ra > 94
Light colour	Neutral white 4000 K, Nr. 50710 4 40 Warm white 3000 K, Nr. 50710 3 40
Glare suppression	Structured acrylic glass, UGR < 18
Operation	Dimmable, DALI
Materials	Lampshade in steel, powder-coated
Cover of illuminant	Structured acrylic glass
Wallcase	Contains driver
Weight	ca. 6.5 kg
Protection rating	IP 20
Test marks	ENEC TÜV SÜD, CE, ROHS
Warranty	2 years, 5 years on LED and converter
Particularities	– LED modules according to Zhaga standards – Optionally with daylight sensor and presence detector
Note	(3000 K ca. 10 lm/W less than 4000 K)

### Light intensity distribution





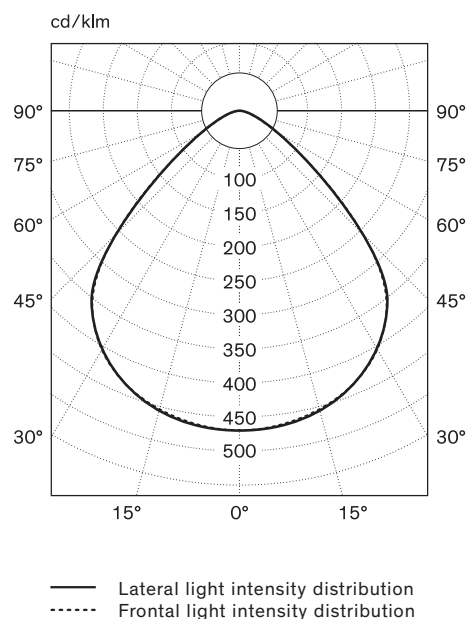


Models	Nr. 50710 4 75 Nr. 50710 3 75
Dimensions	Ø 598 mm H 57 mm



Contents	LED
Controller	ECO converter
Power requirements	220–240 V, 50 Hz
Power input	74 W
Standby	0.5 W
Light distribution	100% direct
Energy efficiency	This product contains a light source of energy efficiency class C
High durability	72,000 hours
Luminous efficiency	9159 lm
Colour rendition index	CRI Ra > 94
Light colour	Neutral white 4000 K, Nr. 50710 4 75 Warm white 3000 K, Nr. 50710 3 75
Glare suppression	Structured acrylic glass, UGR < 18
Operation	Dimmable, DALI
Materials	Lampshade in steel, powder-coated
Cover of illuminant	Structured acrylic glass
Wallcase	Contains driver
Weight	ca. 6.5 kg
Protection rating	IP 20
Test marks	ENEC TÜV SÜD, CE, ROHS
Warranty	2 years, 5 years on LED and converter
Particularities	– LED modules according to Zhaga standards – Optionally with daylight sensor and presence detector
Note	(3000 K ca. 10 lm/W less than 4000 K)

Light intensity distribution



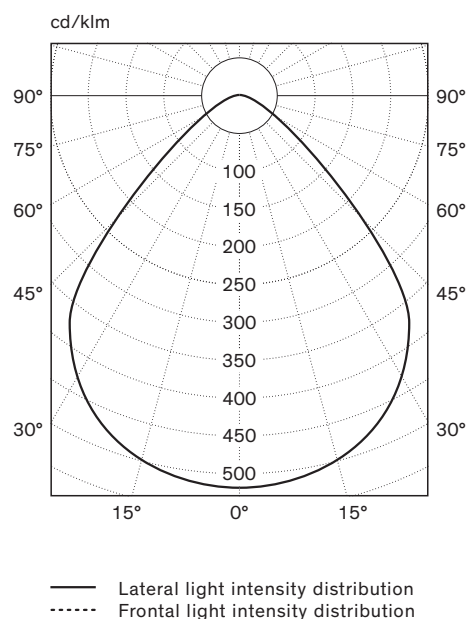


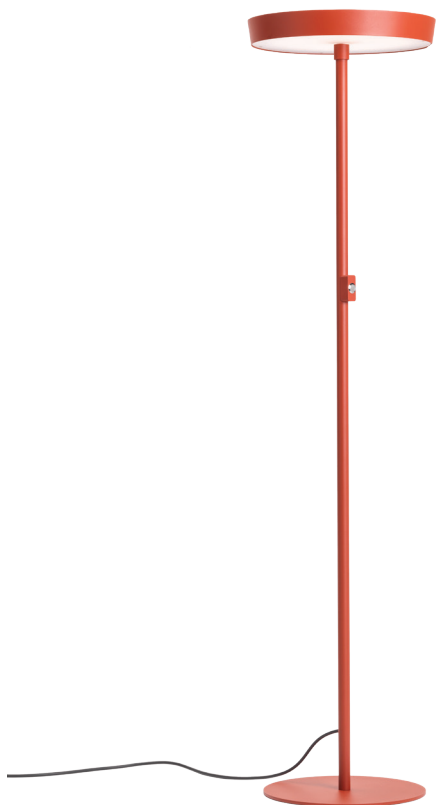
Models	Nr. 58710 4 80 Nr. 58710 3 80
Dimensions	Ø 898 mm H 52 mm



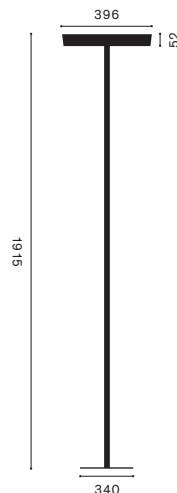
Contents	LED
Controller	ECO converter
Power requirements	220–240 V, 50 Hz
Power input	80 W
Standby	0.5 W
Light distribution	100% direct
Energy efficiency	This product contains a light source of energy efficiency class c
High durability	72,000 hours
Luminous efficiency	12260 lm
Colour rendition index	CRI Ra > 90
Light colour	Neutral white 4000 K, Nr. 58710 4 80 Warm white 3000 K, Nr. 58710 3 80
Glare suppression	Structured acrylic glass, UGR < 19
Operation	Dimmable, DALI
Materials	Lampshade in steel, powder-coated
Cover of illuminant	Structured acrylic glass
Wallcase	Contains driver
Weight	ca. 14.5 kg
Protection rating	IP 20
Test marks	ENEC TÜV SÜD, CE, ROHS
Warranty	2 years, 5 years on LED and converter
Particularities	– LED modules according to Zhaga standards – Optionally with daylight sensor and presence detector
Note	(3000 K ca. 10 lm/W less than 4000 K)

Light intensity distribution



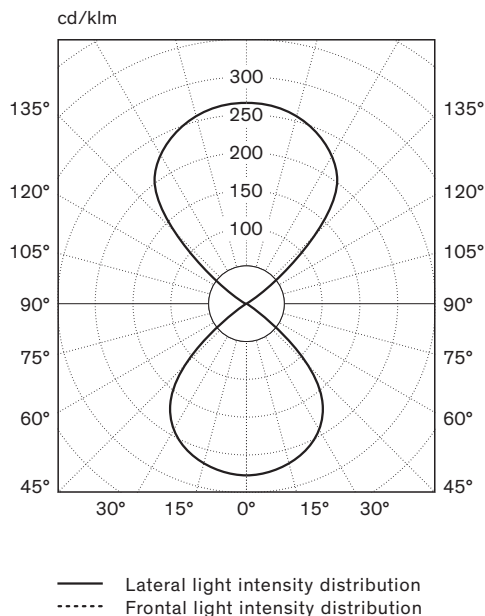


Models	Nr. 47011 4 30 Nr. 47011 3 30
Dimensions	Ø 396 mm H 1915 mm



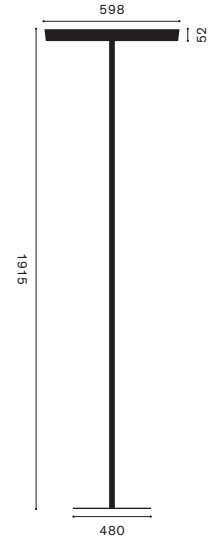
Contents	LED
Controller	ECO converter
Power requirements	220–240 V, 50 Hz
Power input	34 W
Standby	0.5 W
Light distribution	49% direct, 51% indirect
Energy efficiency	This product contains a light source of energy efficiency class c
Luminous efficiency	4366 lm
Colour rendition index	CRI Ra > 90
Light colour	Neutral white 4000 K, Nr. 47011 4 30 Warm white 3000 K, Nr. 47011 3 30
Glare suppression	Structured acrylic glass, UGR < 14
Operation	Can be dimmed by a key button
Materials	Tube, floor plate and lampshade in steel, powder-coated
Cover of illuminant	Structured acrylic glass
Wallcase	Contains driver
Weight	ca. 11.7 kg
Protection rating	IP 20
Test marks	ENEC TÜV SÜD, CE, ROHS
Warranty	2 years, 5 years on LED and converter
Particularities	– Optional with a motion and daylight sensor
Note	(3000 K ca. 10 lm/W less than 4000 K)

Light intensity distribution



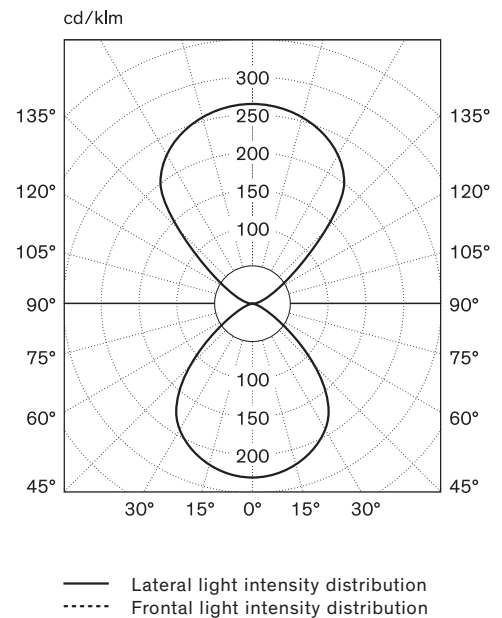


Models	Nr. 50011 4 85 Nr. 50011 3 85
Dimensions	Ø 598 mm H 1915 mm



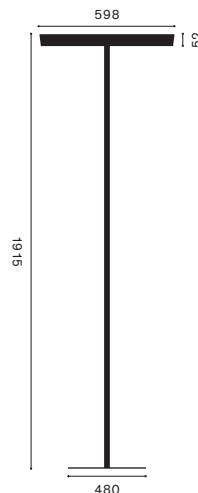
Contents	LED
Controller	Premium converter
Power requirements	220–240 V, 50 Hz
Power input	88 W
Standby	0.5 W
Light distribution	46% direct, 54% indirect
Energy efficiency	This product contains light sources of energy efficiency class c
High durability	72,000 hours
Luminous efficiency	10237 lm
Colour rendition index	CRI Ra > 94
Light colour	Neutral white 4000 K, Nr. 50011 4 85 Warm white 3000 K, Nr. 50011 3 85
Glare suppression	Structured acrylic glass, UGR < 15
Operation	Can be dimmed by a key button or DALI
Materials	Tube, floor plate and lampshade in steel, powder-coated
Cover of illuminant	Structured acrylic glass
Wallcase	Contains driver
Weight	ca. 19.5 kg
Protection rating	IP 20
Test marks	ENEC TÜV SÜD, CE, ROHS
Warranty	2 years, 5 years on LED and converter
Particularities	– Optional with a motion and daylight sensor
Note	(3000 K ca. 10 lm/W less than 4000 K)

Light intensity distribution





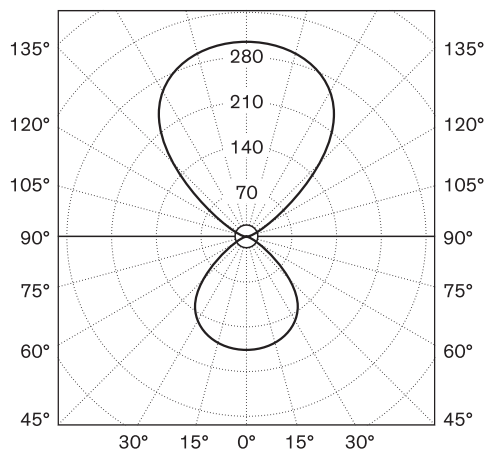
Models	Nr. 50011 4 95 Nr. 50011 3 95
Dimensions	Ø 598 mm H 1915 mm



Contents	LED
Controller	Premium converter
Power requirements	220–240 V, 50 Hz
Power input	115 W
Standby	0.5 W
Light distribution	40% direct, 60% indirect
Energy efficiency	This product contains light sources of energy efficiency class c
High Durability	72,000 hours
Luminous efficiency	14436 lm
Colour rendition index	CRI Ra > 94
Light colour	Neutral white 4000 K, Nr. 50011 4 95 Warm white 3000 K, Nr. 50011 3 95
Glare suppression	Structured acrylic glass, UGR < 15
Operation	Can be dimmed by a key button
Materials	Tube, floor plate and lampshade in steel, powder-coated
Cover of illuminant	Structured acrylic glass
Wallcase	Contains driver
Weight	ca. 19.5 kg
Protection rating	IP 20
Test marks	ENEC TÜV SÜD, CE, ROHS
Warranty	2 years, 5 years on LED and converter
Particularities	– Optional with a motion and daylight sensor
Note	(3000 K ca. 10 lm/W less than 4000 K)

## Light intensity distribution

cd/klm

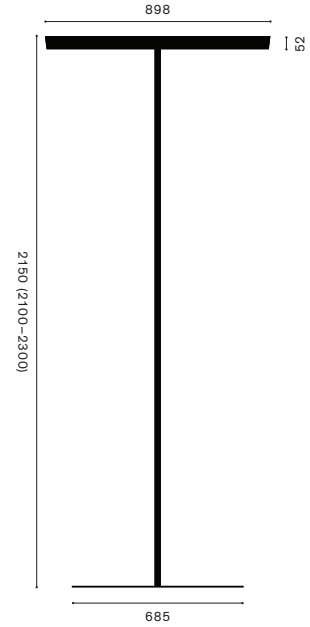


— Lateral light intensity distribution  
- - - Frontal light intensity distribution



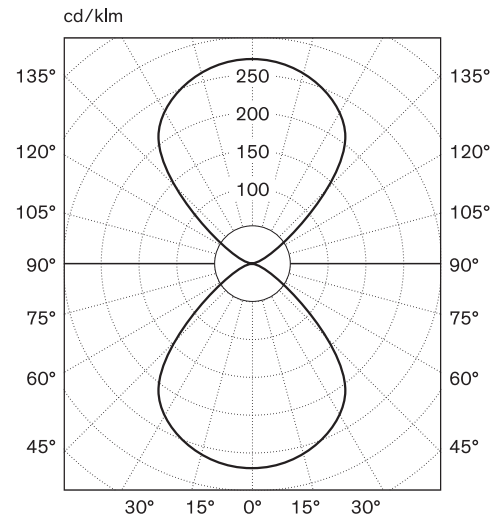


Models	Nr. 58016 4 96 Nr. 58016 3 96
Dimensions	Ø 898 mm H 2150 mm



Contents	LED
Controller	Premium converter
Power requirements	220–240 V, 50 Hz
Power input	165 W
Standby	0.5 W
Light distribution	50% direct, 50% indirect
Energy efficiency	This product contains light sources of energy efficiency class C
High durability	72.000 hours
Luminous efficiency	23000 lm
Colour rendition index	CRI Ra > 90
Light colour	Neutral white 4000 K, Nr. 85016 4 96 Warm white 3000 K, Nr. 85016 3 96
Glare suppression	Structured acrylic glass, UGR < 18
Operation	by „Casambi“ (Remote control/app)
Materials	Tube, floor plate and lampshade in steel, powder-coated
Cover of illuminant	Structured acrylic glass
Wallcase	Contains driver
Weight	ca. 49 kg
Protection rating	IP 20
Test marks	CE, ROHS
Warranty	2 years, 5 years on LED and converter
Particularities	– Optional with a motion and daylight sensor – Optional another height to 2300mm – Optional Luminous efficiency to 36256lm
Note	(3000 K ca. 10 lm/W less than 4000 K)

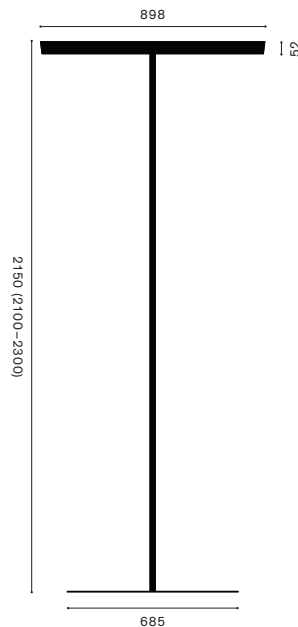
Light intensity distribution



— Lateral light intensity distribution  
- - - - Frontal light intensity distribution

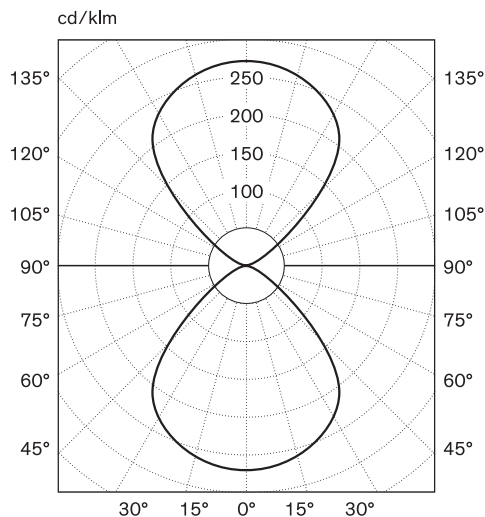


Models	Nr. 58016 4 93 Nr. 58016 3 93
Dimensions	Ø 898 mm H 2150 mm

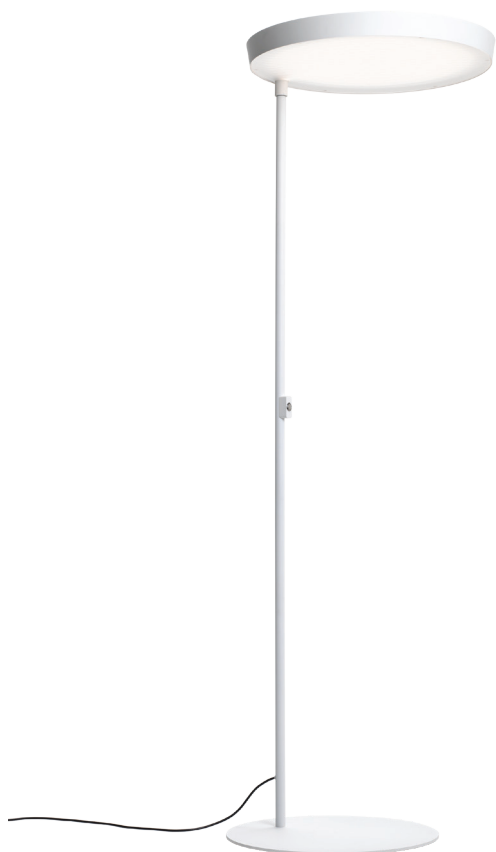


Contents	LED
Controller	Premium converter
Power requirements	220–240 V, 50 Hz
Power input	250 W
Standby	0.5 W
Light distribution	50% direct, 50% indirect
Energy efficiency	This product contains light sources of energy efficiency class C
High durability	72.000 hours
Luminous efficiency	36256 lm
Colour rendition index	CRI Ra > 90
Light colour	Neutral white 4000 K, Nr. 58016 4 93 Warm white 3000 K, Nr. 58016 3 93
Glare suppression	Structured acrylic glass, UGR < 15
Operation	by „Casambi“ (Remote control/App)
Materials	Tube, floor plate and lampshade in steel, powder-coated
Cover of illuminant	Structured acrylic glass
Wallcase	Contains driver
Weight	ca. 49 kg
Protection rating	IP 20
Test marks	CE, ROHS
Warranty	2 years, 5 years on LED and converter
Particularities	– Optional with a motion and daylight sensor – Optional with tunable white – Optional with floor cross vertical – Optional another height to 2300mm
Note	(3000 K ca. 10 lm/W less than 4000 K)

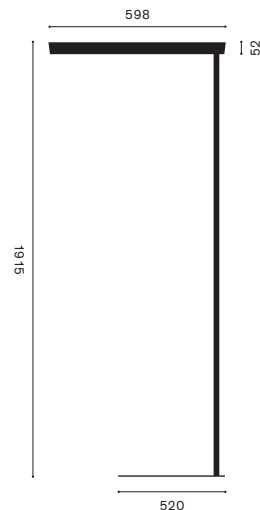
Light intensity distribution



— Lateral light intensity distribution  
- - - - Frontal light intensity distribution



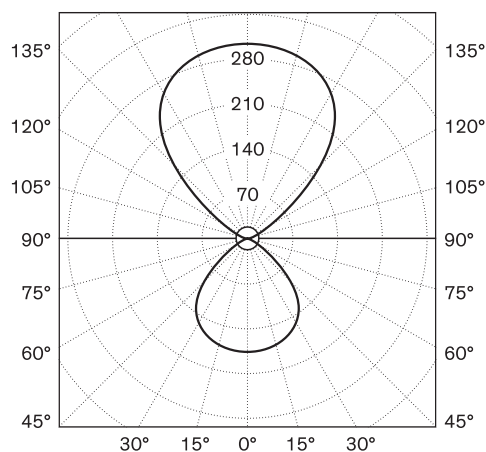
Models	Nr. 506 11 4 95 Nr. 506 11 3 95
Dimensions	Ø 598 mm H 1915 mm



Contents	LED
Controller	Premium converter
Power requirements	220–240 V, 50 Hz
Power input	115 W
Standby	0.5 W
Light distribution	40% direct, 60% indirect
Energy efficiency	This product contains light sources of energy class c
High durability	72,000 hours
Luminous efficiency	14435 lm
Colour rendition index	CRI Ra > 93
Light colour	Neutral white 4000 K, Nr. 506 11 4 95 Warm white 3000 K, Nr. 506 11 3 95
Glare suppression	Structured acrylic glass, UGR < 15
Operation	Can be dimmed by a key button or DALI
Materials	Tube, floor plate and lampshade in steel, powder-coated
Cover of illuminant	Structured acrylic glass
Wallcase	Contains driver
Weight	ca. 19.5 kg
Protection rating	IP 20
Test marks	ENEC TÜV SÜD, CE, ROHS
Warranty	2 years, 5 years on LED and converter
Particularities	– eccentric position of the lamp tube – optional with a motion and daylight sensor (3000 K ca. 10 lm/W less than 4000 K)
Note	

### Example of light intensity distribution

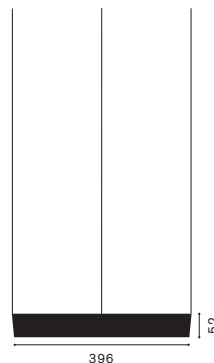
cd/klm



— Lateral light intensity distribution  
- - - Frontal light intensity distribution

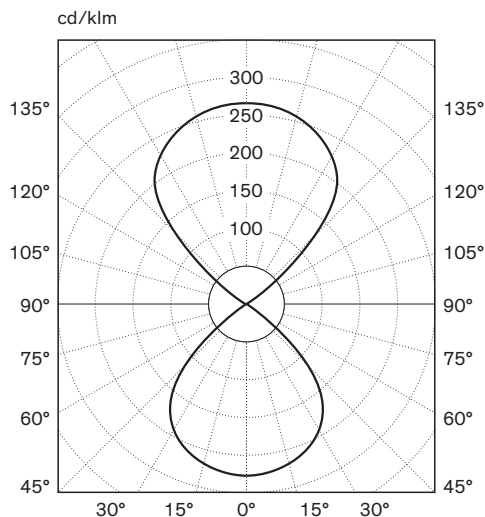


Models	Nr. 47410 4 30 Nr. 47410 3 30
Dimensions	Ø 396 mm H 52 mm



Contents	LED
Controller	ECO converter
Power requirements	220–240 V, 50 Hz
Power input	34 W
Standby	0.5 W
Light distribution	49% direct, 51% indirect
Energy efficiency	This product contains light sources of energy efficiency class c
Luminous efficiency	4366 lm
Colour rendition index	CRI Ra > 90
Light colour	Neutral white 4000 K, Nr. 47410 4 30 Warm white 3000 K, Nr. 47410 3 30
Glare suppression	Structured acrylic glass, UGR < 14
Operation	Dimmable, DALI
Materials	Lampshade in steel, powder-coated
Cover of illuminant	Structured acrylic glass
Wallcase	Contains driver
Weight	ca. 4 kg
Protection rating	IP 20
Test marks	ENEC TÜV SÜD, CE, ROHS
Warranty	2 years, 5 years on LED and converter
Particularities	– Optional with a motion and daylight sensor
Note	(3000 K ca. 10 lm/W less than 4000 K)

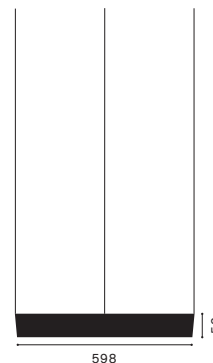
## Light intensity distribution



— Lateral light intensity distribution  
 ..... Frontal light intensity distribution

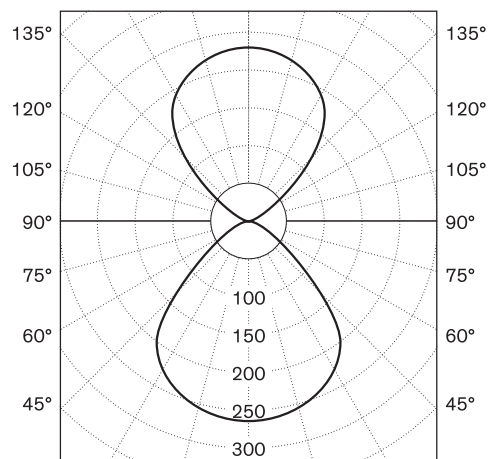


Models	Nr. 50410 4 95 Nr. 50410 3 95
Dimensions	Ø 598 mm H 52 mm



Contents	LED
Controller	ECO converter
Power requirements	220–240 V, 50 Hz
Power input	115 W
Standby	0.5 W
Light distribution	40% direct, 60% indirect
Energy efficiency	This product contains light sources of energy efficiency class c
High durability	72,000 hours
Luminous efficiency	14436 lm
Colour rendition index	CRI Ra > 94
Light colour	Neutral white 4000 K, Nr. 50410 4 95 Warm white 3000 K, Nr. 50410 3 95
Glare suppression	Structured acrylic glass, UGR < 15
Operation	Dimmable, DALI
Materials	Lampshade in steel, powder-coated
Cover of illuminant	Structured acrylic glass
Wallcase	Contains driver
Weight	ca. 4 kg
Protection rating	IP 20
Test marks	ENEC TÜV SÜD, CE, ROHS
Warranty	2 years, 5 years on LED and converter
Particularities	– Optional with a motion and daylight sensor
Note	(3000 K ca. 10 lm/W less than 4000 K)

Light intensity distribution



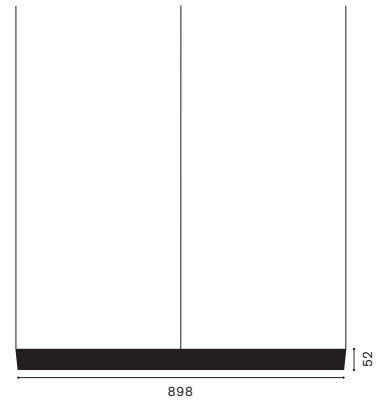
— Lateral light intensity distribution  
..... Frontal light intensity distribution





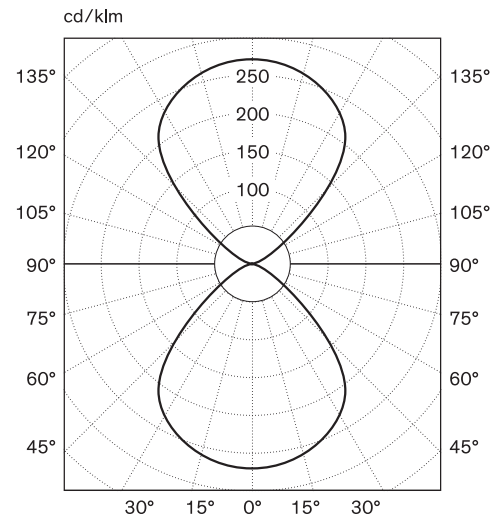
Models Nr. 58410 4 96  
Nr. 58410 3 96

Dimensions Ø 898 mm  
H 52 mm



Contents	LED
Controller	ECO converter
Power requirements	220–240 V, 50 Hz
Power input	165 W
Standby	0.5 W
Light distribution	50% direct, 50% indirect
Energy efficiency	This product contains light sources of energy efficiency class c
High durability	72,000 hours
Luminous efficiency	24393 lm
Colour rendition index	CRI Ra > 90
Light colour	Neutral white 4000 K, Nr. 58410 4 96 Warm white 3000 K, Nr. 58410 3 96
Glare suppression	Structured acrylic glass, UGR < 17
Operation	Dimmable, DALI
Materials	Lampshade in steel, powder-coated
Cover of illuminant	Structured acrylic glass
Wallcase	Contains driver
Weight	ca. 15.2 kg
Protection rating	IP 20
Test marks	ENEC TÜV SÜD, CE, ROHS
Warranty	2 years, 5 years on LED and converter
Particularities	– Optional with a motion and daylight sensor – Optional Luminous efficiency to 37000lm
Note	(3000 K ca. 10 lm/W less than 4000 K)

Light intensity distribution

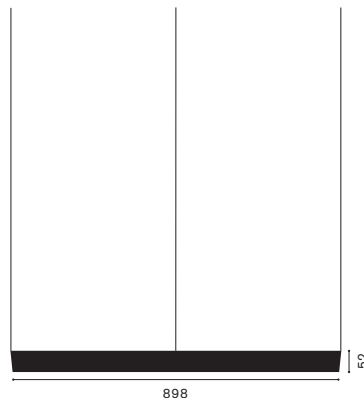


— Lateral light intensity distribution  
..... Frontal light intensity distribution



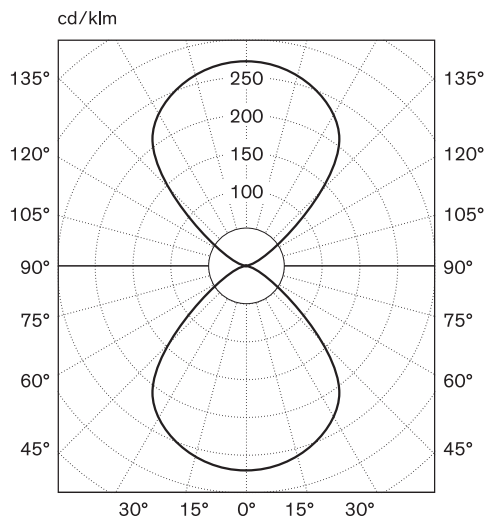
Models                   Nr. 58410 4 96  
                                  Nr. 58410 3 96

Dimensions             Ø 898 mm  
                                  H 52 mm



Contents	LED
Controller	Premium converter
Power requirements	220–240 V, 50 Hz
Power input	250 W
Standby	0.5 W
Light distribution	34% direct, 66% indirect
Energy efficiency	This product contains light sources of energy efficiency class c
High durability	72,000 hours
Luminous efficiency	36256 lm
Colour rendition index	CRI Ra > 90
Light colour	Neutral white 4000 K, Nr. 58410 4 93 Warm white 3000 K, Nr. 58410 3 93
Glare suppression	Structured acrylic glass, UGR < 15
Operation	Dimmable, DALI
Materials	Lampshade in steel, powder-coated
Cover of illuminant	Structured acrylic glass
Wallcase	Contains driver
Weight	ca. 15.2 kg
Protection rating	IP 20
Test marks	ENEC TÜV SÜD, CE, ROHS
Warranty	2 years, 5 years on LED and converter
Particularities	– Optional with a motion and daylight sensor
Note	(3000 K ca. 10 lm/W less than 4000 K)

### Light intensity distribution

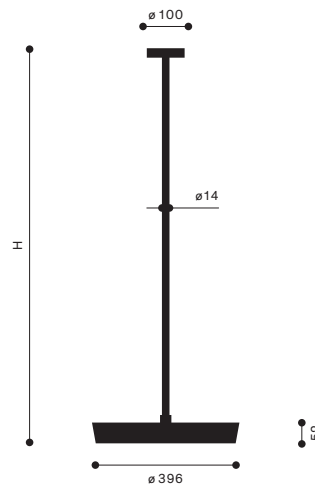


— Lateral light intensity distribution  
 ..... Frontal light intensity distribution



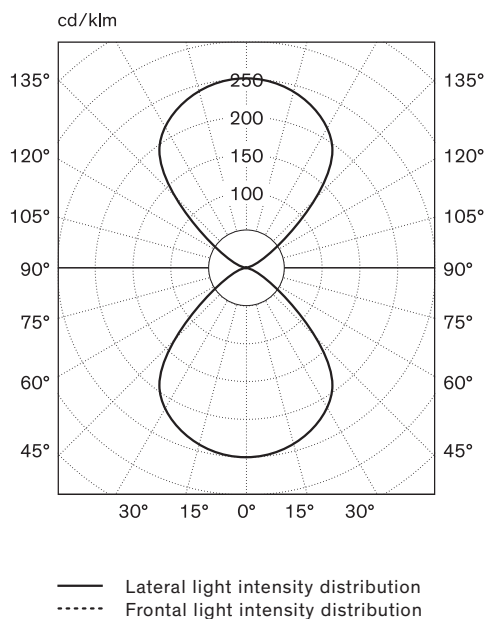
Models Nr. 47910 4 65  
Nr. 47910 3 65

Dimensions Ø 396 mm  
H variable on order



Contents	LED
Controller	Premium converter
Power requirements	220–240 V, 50 Hz
Power input	63 W
Standby	0.5 W
Light distribution	50% direct, 50% indirect
Energy efficiency	This product contains light sources of energy efficiency class c
Luminous efficiency	6084 lm
Colour rendition index	CRI Ra > 90
Light colour	Neutral white 4000 K, Nr. 47910 4 65 Warm white 3000 K, Nr. 47910 3 65
Glare suppression	Structured acrylic glass, UGR < 15
Operation	Dimmable, DALI
Materials	Baldachin, tube and lampshade in steel, powder-coated
Cover of illuminant	Structured acrylic glass
Wallcase	Contains driver
Weight	ca. 4 kg
Protection rating	IP 20
Test marks	ENEC TÜV SÜD, CE, ROHS
Warranty	2 years, 5 years on LED and converter
Particularities	– Optional with a motion and daylight sensor
Note	(3000 K ca. 10 lm/W less than 4000 K)

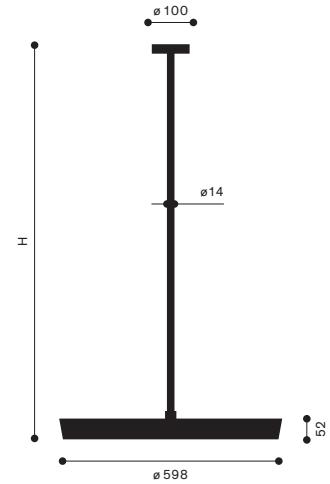
Light intensity distribution





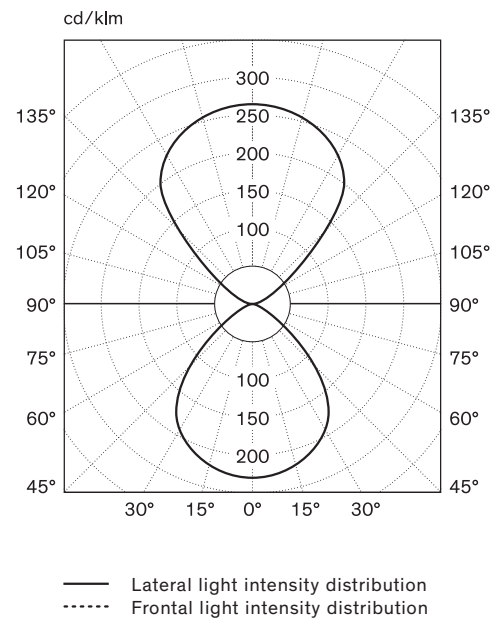
Models Nr. 50910 4 85  
Nr. 50910 3 85

Dimensions Ø 598 mm  
H variable on order



Contents	LED
Controller	Premium converter
Power requirements	220–240 V, 50 Hz
Power input	88 W
Standby	0.5 W
Light distribution	46% direct, 54% indirect
Energy efficiency	This product contains light sources of energy efficiency class c
High durability	72,000 hours
Luminous efficiency	10237 lm
Colour rendition index	CRI Ra > 94
Light colour	Neutral white 4000 K, Nr. 50910 4 85 Warm white 3000 K, Nr. 50910 3 85
Glare suppression	Structured acrylic glass, UGR < 15
Operation	Dimmable, DALI
Materials	Baldachin, tube and lampshade in steel, powder-coated
Cover of illuminant	Structured acrylic glass
Wallcase	Contains driver
Weight	ca. 8.2 kg
Protection rating	IP 20
Test marks	ENEC TÜV SÜD, CE, ROHS
Warranty	2 years, 5 years on LED and converter
Particularities	– Optional with a motion and daylight sensor
Note	(3000 K ca. 10 lm/W less than 4000 K)

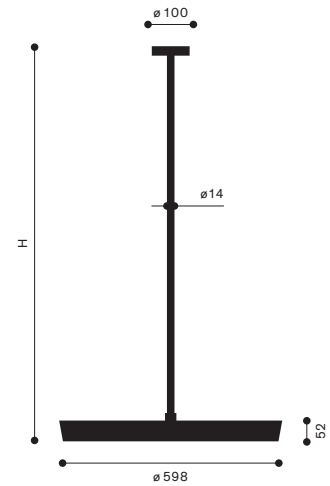
## Light intensity distribution





Models Nr. 50910 4 95  
Nr. 50910 3 95

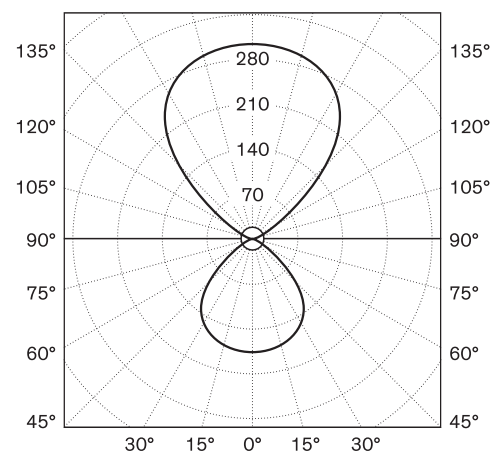
Dimensions Ø 598 mm  
H variable on order



Contents	LED
Controller	Premium converter
Power requirements	220–240 V, 50 Hz
Power input	115 W
Standby	0.5 W
Light distribution	40% direct, 60% indirect
Energy efficiency	This product contains light sources of energy efficiency class c
High durability	75,000 hours
Luminous efficiency	14436 lm
Colour rendition index	CRI Ra > 94
Light colour	Neutral white 4000 K, Nr. 50910 4 95 Warm white 3000 K, Nr. 50910 3 95
Glare suppression	Structured acrylic glass, UGR < 15
Operation	Dimmable, DALI
Materials	Baldachin, tube and lampshade in steel, powder-coated
Cover of illuminant	Structured acrylic glass
Wallcase	Contains driver
Weight	ca. 8.2 kg
Protection rating	IP 20
Test marks	ENEC TÜV SÜD, CE, ROHS
Warranty	2 years, 5 years on LED and converter
Particularities	– Optional with a motion and daylight sensor
Note	(3000 K ca. 10 lm/W less than 4000 K)

## Light intensity distribution

cd/klm



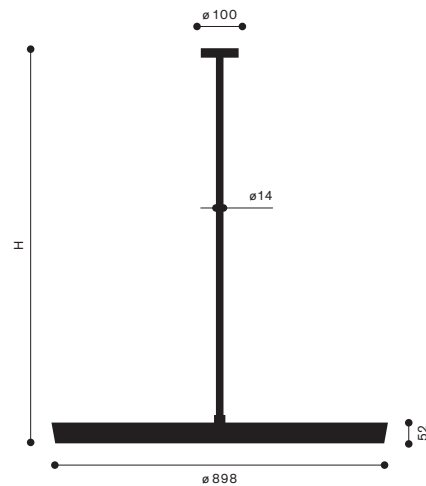
— Lateral light intensity distribution  
- - - - Frontal light intensity distribution





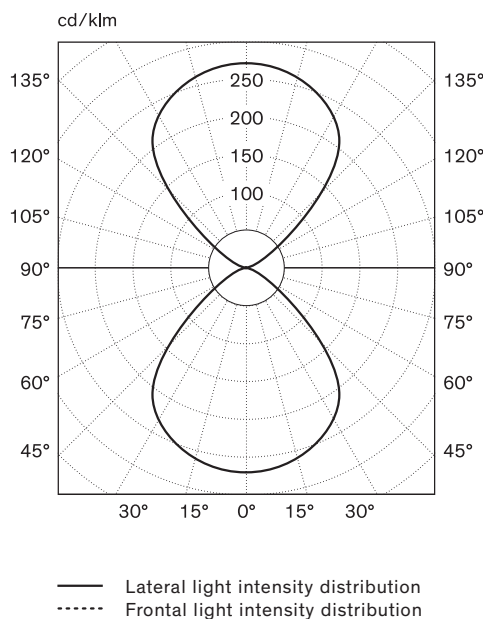
Models Nr. 58910 4 96  
Nr. 58910 3 96

Dimensions Ø 898 mm  
H variable on order



Contents	LED
Controller	Premium converter
Power requirements	220–240 V, 50 Hz
Power input	165 W
Standby	0.5 W
Light distribution	50% direct, 50% indirect
Energy efficiency	This product contains light sources of energy efficiency class c
High durability	72,000 hours
Luminous efficiency	24400 lm
Colour rendition index	CRI Ra > 90
Light colour	Neutral white 4000 K, Nr. 58910 4 96 Warm white 3000 K, Nr. 58910 3 96
Glare suppression	Structured acrylic glass, UGR < 17
Operation	Dimmable, DALI
Materials	Baldachin, tube and lampshade in steel, powder-coated
Cover of illuminant	Structured acrylic glass
Wallcase	Contains driver
Weight	ca. 16 kg
Protection rating	IP 20
Test marks	ENEC TÜV SÜD, CE, ROHS
Warranty	2 years, 5 years on LED and converter
Particularities	– Optional with a motion and daylight sensor
Note	(3000 K ca. 10 lm/W less than 4000 K)

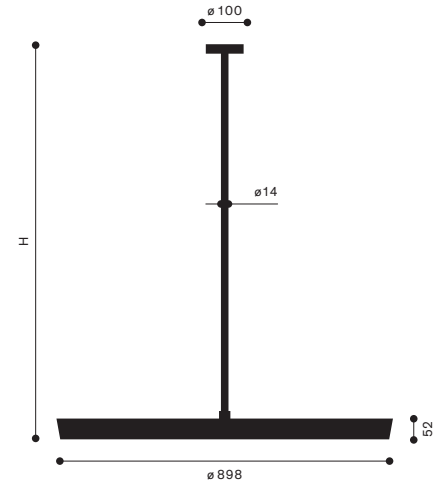
Light intensity distribution





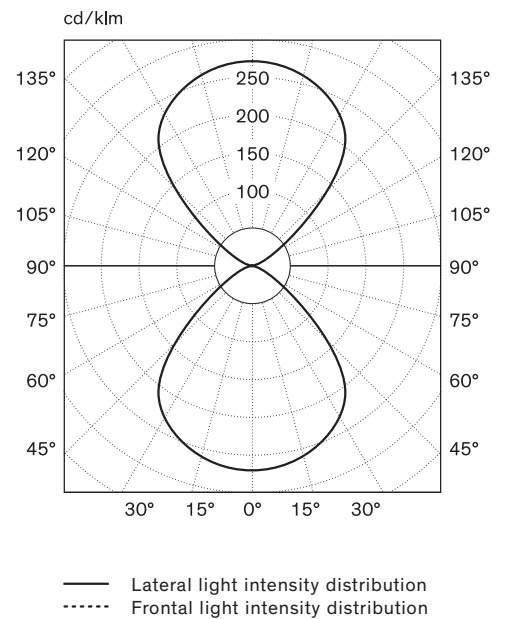
Models Nr. 58910 4 93  
Nr. 58910 3 93

Dimensions Ø 898 mm  
H variable on order



Contents	LED
Controller	Premium converter
Power requirements	220–240 V, 50 Hz
Power input	250 W
Standby	0.5 W
Light distribution	34% direct, 66% indirect
Energy efficiency	This product contains light sources of energy efficiency class c
High durability	72,000 hours
Luminous efficiency	36256 lm
Colour rendition index	CRI Ra > 90
Light colour	Neutral white 4000 K, Nr. 58910 4 93 Warm white 3000 K, Nr. 58910 3 93
Glare suppression	Structured acrylic glass, UGR < 17
Operation	Dimmable, DALI
Materials	Baldachin, tube and lampshade in steel, powder-coated
Cover of illuminant	Structured acrylic glass
Wallcase	Contains driver
Weight	ca. 16 kg
Protection rating	IP 20
Test marks	ENEC TÜV SÜD, CE, ROHS
Warranty	2 years, 5 years on LED and converter
Particularities	– Optional with a motion and daylight sensor
Note	(3000 K ca. 10 lm/W less than 4000 K)

Light intensity distribution



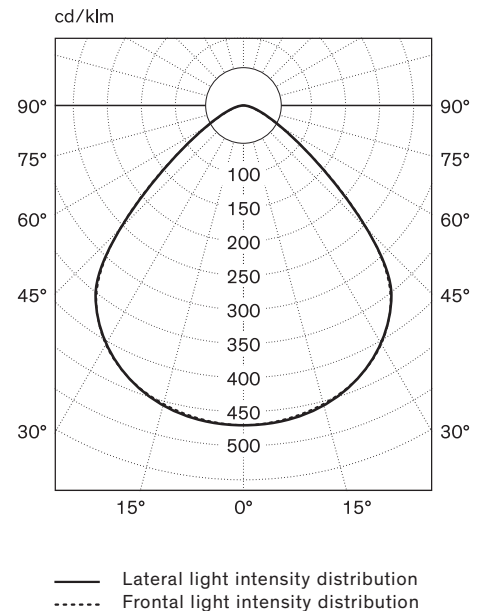


Models	Nr. 50318 4 40 Nr. 50318 3 40
Dimensions	Ø 598 mm H 52 mm



Contents	LED
Controller	Premium Konverter
Power requirements	220–240 V, 50 Hz
Power input	40 W
Standby	0.5 W
Light distribution	100% direct
Energy efficiency	This product contains light sources of energy efficiency class C
High durability	72, 000 Stunden
Luminous efficiency	3850 lm
Colour rendition index	CRI Ra > 94
Light Colour	neutral white 4000K, Nr. 50318 4 40 Warm white 3000K, Nr. 50318 3 40
Glare suppression	UGR ca. < 19
Operation	Dimmable, DALI
Materials	Lampshade in steel, powder-coated
Cover of illuminant	Acrylic glass diffuse, without structure
Wallcase	Contains driver
Weight	ca. 5.6 kg
Protection rating	IP 20
Test marks	ENEC TÜV SÜD, CE, ROHS
Warranty	2 years, 5 years on LED and converter
Note	(3000 K ca. 10 lm/W less than 4000 K)

### Light intensity distribution



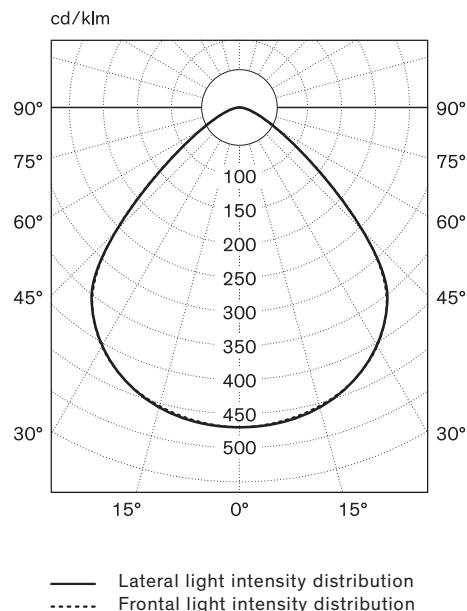


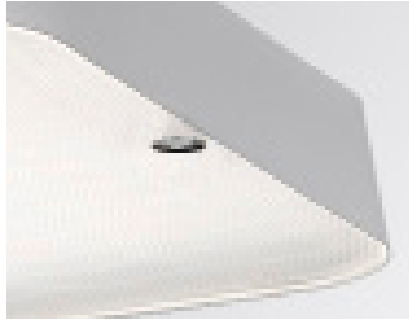
Models	Nr. 50310 4 75 Nr. 50310 3 75
Dimensions	Ø 598 mm H 52 mm



Contents	LED
Controller	Premium Konverter
Power requirements	220–240 V, 50 Hz
Power input	75 W
Standby	0.5 W
Light distribution	100% direct
Energy efficiency	This product contains light sources of energy efficiency class C
High durability	72, 000 Stunden
Luminous efficiency	8000 lm
Colour rendition index	CRI Ra > 94
Light Colour	neutral white 4000K, Nr. 50310 4 75 Warm white 3000K, Nr. 50310 3 75
Glare suppression	UGR ca. < 19
Operation	Dimmable, DALI
Materials	Lampshade in steel, powder-coated
Cover of illuminant	Acrylic glass diffuse, without structure
Wallcase	Contains driver
Weight	ca. 5.6 kg
Protection rating	IP 20
Test marks	ENEC TÜV SÜD, CE, ROHS
Warranty	2 years, 5 years on LED and converter
Note	(3000 K ca. 10 lm/W less than 4000 K)

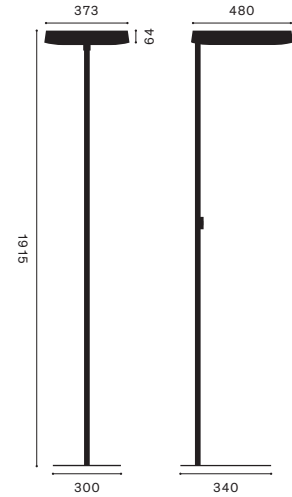
### Light intensity distribution





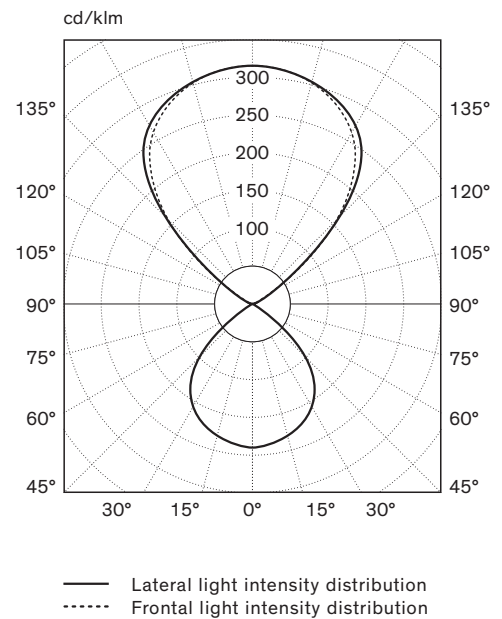
Models  
Nr. 38021 4 60  
Nr. 38021 3 60

Dimensions  
H 1915 mm  
W 373 mm  
L 480 mm



<b>Contents</b>	<b>LED</b>
Controller	Premium converter
Power requirements	220–240 V, 50–60 Hz
Power input	59 W
Standby	< 0.5 W
Light distribution	37% direct, 63% indirect
<b>Energy efficiency</b>	This product contains light sources of energy efficiency class c
High durability	72,000 hours
Luminous efficiency	7660 lm
Colour rendition index	CRI Ra > 82
Light colour	Neutral white 4000 K, Nr. 38021 4 60 Warm white 3000 K, Nr. 38021 3 60
Glare suppression	Structured acrylic glass, UGR < 12
<b>Operation</b>	Multi-function button for switching on and off, dimming, setting the light level
<b>Materials</b>	Tube, floor plate and brim of illumination head made of steel, push-button case made of white powder-coated aluminium
Cover of illuminant	Structured acrylic glass
Floor plate	Rectangular, glider included 9 mm high
Weight	ca. 12.8 kg
<b>Power cable</b>	Approx. 3 m, with power plug CH, No. XXXX1 X XX or power plug CEE 7/VII, No. XXXX2 X XX
Protection rating	IP 20
Test marks	ENEC TÜV SÜD, CE, ROHS
Warranty	2 years, 5 years on LED and converter
<b>Particularities</b>	<ul style="list-style-type: none"> <li>– Only consists of 3 components and 2 screws</li> <li>– Easy lamp assembly</li> <li>– LED modules according to Zhaga standards</li> <li>– Minergie® certificate</li> <li>– Daylight sensor and presence detector</li> </ul>

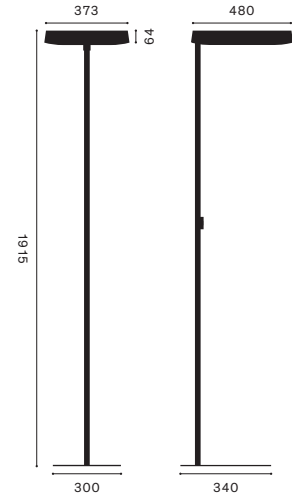
### Light intensity distribution





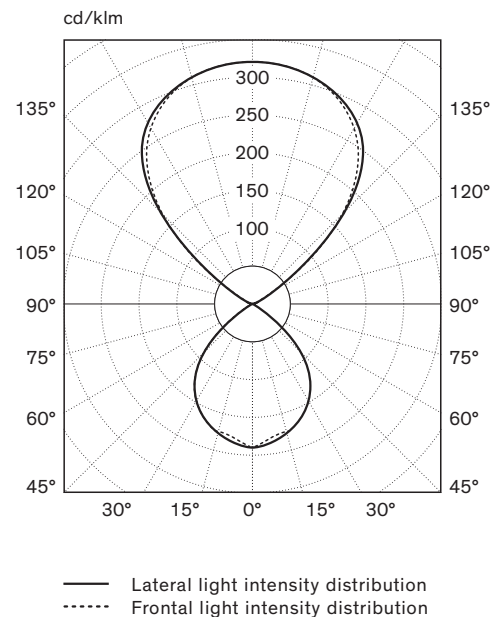
Models Nr. 38111 4 60  
Nr. 38111 3 60

Dimensions H 1915 mm  
W 373 mm  
L 480 mm



Contents	LED
Controller	Premium converter
Power requirements	220–240 V, 50–60 Hz
Power input	59 W
Standby	< 0.5 W
Light distribution	35% direct, 65% indirect
Energy efficiency	This product contains light sources of energy efficiency class c
High durability	72,000 hours
Luminous efficiency	7660 lm
Colour rendition index	CRI Ra > 82
Light colour	Neutral white 4000 K, Nr. 38111 4 60 Warm white 3000 K, Nr. 38111 3 60
Glare suppression	Direct structured blind and grid, UGR < 12 Indirect structured blind, UGR < 12
Operation	Multi-function button for switching on and off, dimming
Materials	Tube, floor plate and brim of illumination head made of steel, push-button case made of white or black powder-coated aluminium Structured acrylic glass
Cover of illuminant	Rectangular, glider included 9 mm high
Floor plate	ca. 12.9 kg
Weight	
Power cable	Approx. 3 m, with power plug CH, No. XXXX1 X XX or power plug CEE 7/VII, No. XXXX2 X XX
Protection rating	IP 20
Test marks	ENEC TÜV SÜD, CE, ROHS
Warranty	2 years, 5 years on LED and converter
Particularities	<ul style="list-style-type: none"> <li>– Only consists of 3 components and 2 screws</li> <li>– Easy lamp assembly</li> <li>– LED modules according to Zhaga standards</li> <li>– Optionally with daylight sensor and presence detector</li> </ul>
Note	(3000 K ca. 10 lm/W less than at 4000 K)

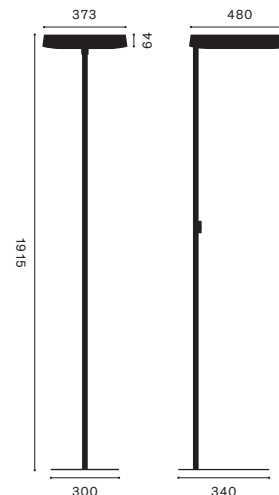
## Light intensity distribution





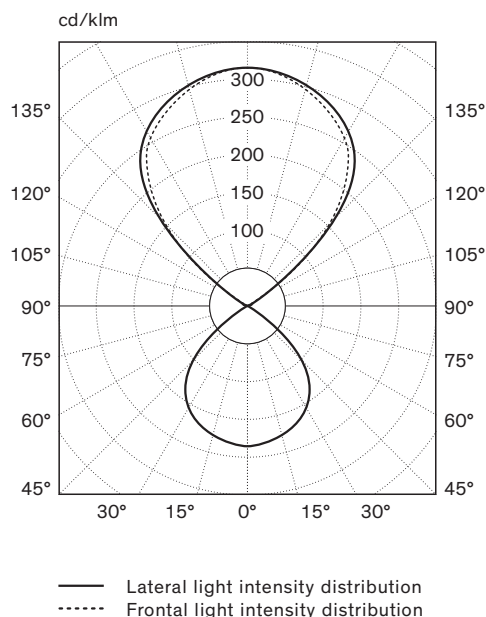
Models  
Nr. 38121 4 60  
Nr. 38121 3 60

Dimensions  
H 1915 mm  
W 373 mm  
L 480 mm



<b>Contents</b>	<b>LED</b>
Controller	Premium converter
Power requirements	220–240 V, 50–60 Hz
Power input	59 W
Standby	< 0.5 W
Light distribution	35% direct, 65% indirect
<b>Energy efficiency</b>	This product contains light sources of energy efficiency class c
High durability	72,000 hours
Luminous efficiency	7660 lm
Colour rendition index	CRI Ra > 82
Light colour	Neutral white 4000 K, Nr. 38121 4 60 Warm white 3000 K, Nr. 38121 3 60
Glare suppression	UGR < 12
<b>Operation</b>	Multi-function button for switching on and off, dimming, setting light level for version with sensor
<b>Materials</b>	Tube, floor plate and brim of illumination head made of steel, push-button case made of white or black powder-coated aluminium
Cover of illuminant	Structured acrylic glass
Floor plate	Rectangular, glider included 9 mm high
Weight	ca. 12.9 kg
<b>Power cable</b>	Approx. 3 m, with power plug CH, No. XXXX1 X XX or power plug CEE 7/VII, No. XXXX2 X XX
Protection rating	IP 20
Test marks	ENEC TÜV SÜD, CE, ROHS
Warranty	2 years, 5 years on LED and converter
<b>Particularities</b>	<ul style="list-style-type: none"> <li>– Only consists of 3 components and 2 screws</li> <li>– Easy lamp assembly</li> <li>– LED modules according to Zhaga standards</li> </ul>

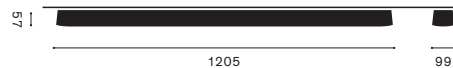
## Light intensity distribution





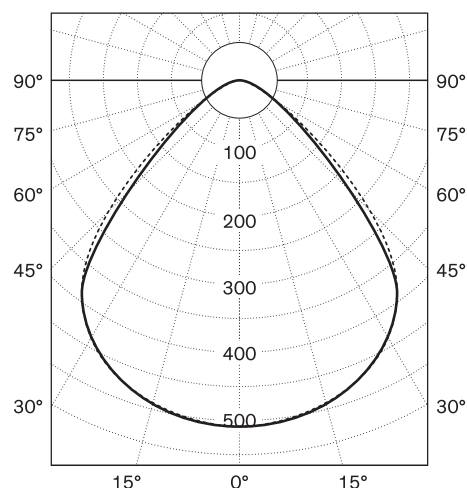


Models	Nr. 44710 4 45 Nr. 44710 3 45
Dimensions	H 57 mm W 99 mm L 1205 mm



Contents	LED
Controller	Premium converter, DALI
Power requirements	220–240 V, 50–60 Hz
Power input	45 W
Standby	< 0.5 W
Light distribution	100% direct
Energy efficiency	This product contains light sources of energy efficiency class c
High durability	72,000 hours
Luminous efficiency	5619 lm
Colour rendition index	CRI Ra > 83
Light colour	Neutral white 4000 K, Nr. 44710 4 45 Warm white 3000 K, Nr. 44710 3 45
Glare suppression	UGR < 19
Operation	Dimmable with DALI
Materials	Brim of illumination head made of steel, powder-coated
Cover of illuminant	Structured acrylic glass
Operating device	Included in the luminaire head
Weight	ca. 3.6 kg
Protection rating	IP 20
Test marks	ENEC TÜV SÜD, CE, ROHS
Warranty	2 years, 5 years on LED and converter
Particularities	– Optionally with daylight sensor and presence detecto
Note	(3000 K ca. 10 lm/W less than at 4000 K)

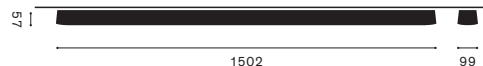
Light intensity distribution  
cd / klm



— Lateral light intensity distribution  
- - - - Frontal light intensity distribution

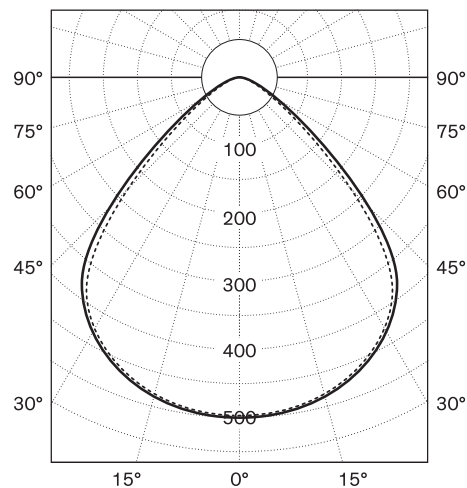


Models	Nr. 45710 4 50 Nr. 45710 3 50
Dimensions	H 57 mm W 99 mm L 1502 mm



Contents	LED
Controller	Premium converter, DALI
Power requirements	220–240 V, 50–60 Hz
Power input	52 W
Standby	< 0.5 W
Light distribution	100% direct
Energy efficiency	This product contains light sources of energy efficiency class c
High durability	72,000 hours
Luminous efficiency	6529 lm
Colour rendition index	CRI Ra > 84
Light colour	Neutral white 4000 K, Nr. 45710 4 50 Warm white 3000 K, Nr. 45710 3 50
Glare suppression	UGR < 19
Operation	Dimmable with DALI
Materials	Brim of illumination head made of steel, powder-coated
Cover of illuminant	Structured acrylic glass
Operating device	Included in the luminaire head
Weight	ca. 4.9 kg
Protection rating	IP 20
Test marks	ENEC TÜV SÜD, CE, ROHS
Warranty	2 years, 5 years on LED and converter
Particularities	– 2 row Bat Wing, with anti-glare panel – Optionally with daylight sensor and presence detecto
Note	(3000 K ca. 10 lm/W less than at 4000 K)

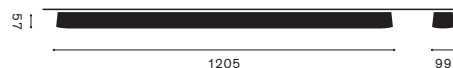
Light intensity distribution  
cd/klm



— Lateral light intensity distribution  
- - - - Frontal light intensity distribution

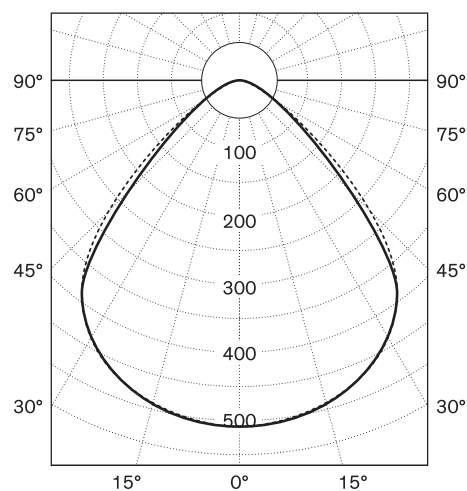


Models	Nr. 44810 4 30 Nr. 44710 3 30
Dimensions	H 57 mm W 99 mm L 1205 mm



Contents	LED
Controller	Premium converter, DALI
Power requirements	220–240 V, 50–60 Hz
Power input	30 W
Standby	< 0.5 W
Light distribution	100% direct
Energy efficiency	This product contains light sources of energy efficiency class c
High durability	72,000 hours
Luminous efficiency	3873 lm
Colour rendition index	CRI Ra > 84
Light colour	Neutral white 4000K, Nr. 44810 4 30 Warm white 3000K, Nr. 44710 3 30
Glare suppression	UGR < 19
Operation	Dimmable with DALI
Materials	Brim of illumination head made of steel, powder-coated
Cover of illuminant	Structured acrylic glass
Operating device	Included in the luminaire head
Weight	4.2 kg
Protection rating	IP 20
Test marks	ENEC TÜV SÜD, CE, ROHS
Warranty	2 years, 5 years on LED and converter
Particularities	with anti-glare panel
Note	(3000 K ca. 10 lm/W less than at 4000K)

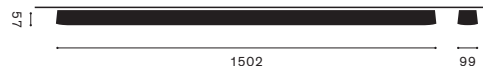
Light intensity distribution  
cd / klm



— Lateral light intensity distribution  
..... Frontal light intensity distribution

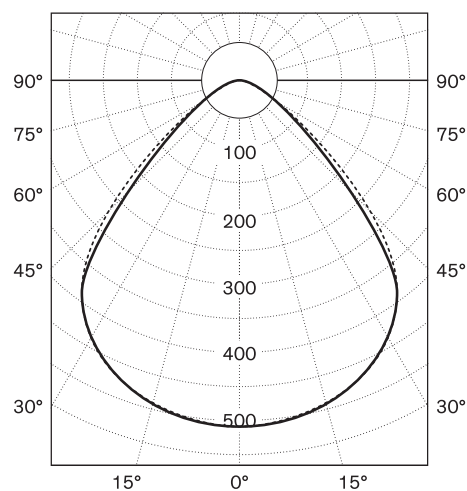


Models	Nr. 45810 4 50 Nr. 45810 3 50
Dimensions	H 57 mm W 99 mm L 1502 mm



Contents	LED
Controller	Premium converter, DALI
Power requirements	220–240 V, 50–60 Hz
Power input	52 W
Standby	< 0.5 W
Light distribution	100% direct
Energy efficiency	This product contains light sources of energy efficiency class c
High durability	72,000 hours
Luminous efficiency	5876 lm
Colour rendition index	CRI Ra > 84
Light colour	Neutral white 4000 K, Nr. 45810 4 50 Warm white 3000 K, Nr. 45810 3 50
Glare suppression	UGR < 19
Operation	Dimmable with DALI
Materials	Brim of illumination head made of steel, powder-coated
Cover of illuminant	Structured acrylic glass
Operating device	Included in the luminaire head
Weight	ca. 4.9 kg
Protection rating	IP 20
Test marks	ENEC TÜV SÜD, CE, ROHS
Warranty	2 years, 5 years on LED and converter
Particularities	– 2 row Bat Wing, with anti-glare panel – Optionally with daylight sensor and presence detecto
Note	(3000 K ca. 10 lm/W less than at 4000 K)

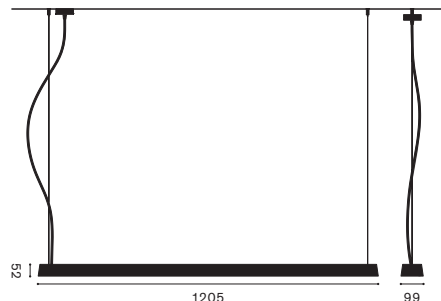
Light intensity distribution  
cd / klm



— Lateral light intensity distribution  
..... Frontal light intensity distribution

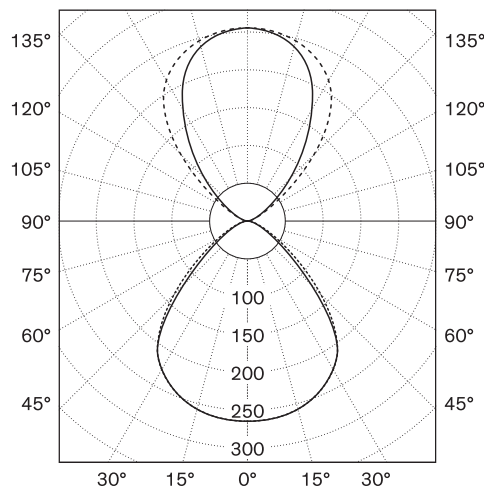


Models	Nr. 44410 4 60 Nr. 44410 3 60
Dimensions	H 52 mm W 99 mm L 1205 mm



Contents	LED
Controller	Premium converter, DALI
Power requirements	220–240 V, 50–60 Hz
Power input	58 W
Standby	< 0.5 W
Light distribution	52% direct, 48% indirect
Energy efficiency	This product contains light sources of energy efficiency class c
Luminous efficiency	6993 lm
Colour rendition index	CRI Ra > 83
Light colour	Neutral white 4000 K, Nr. 44410 4 60 Warm white 3000 K, Nr. 44410 3 60
Glare suppression	UGR < 16
Operation	Dimmable with DALI
Materials	Brim of illumination head made of steel, powder-coated
Cover of illuminant	Structured acrylic glass
Weight	ca. 3.5 kg
Power cable	3 m, 5-polig
Protection rating	IP 20
Test marks	ENEC TÜV SÜD, CE, ROHS
Warranty	2 years, 5 years on LED and converter
Particularities	– Optionally with daylight sensor and presence detector
Note	(3000 K ca. 10 lm/W less than at 4000 K)

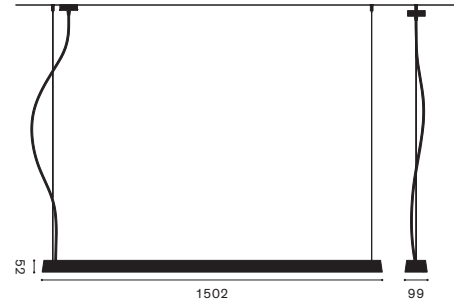
Light intensity distribution  
cd / klm



— Lateral light intensity distribution  
- - - Frontal light intensity distribution

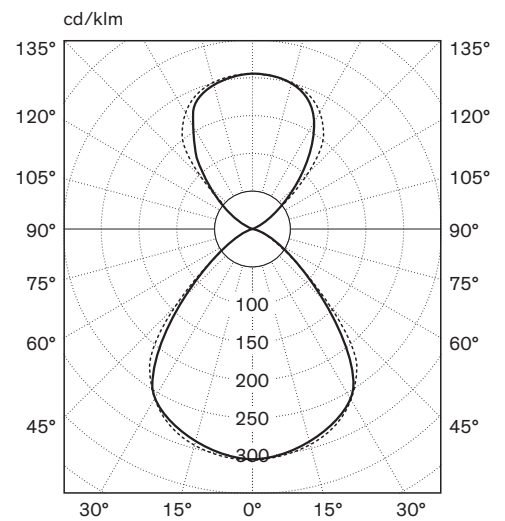


Models	Nr. 45410 4 65 Nr. 45410 3 65
Dimensions	H 52 mm W 99 mm L 1502 mm



Contents	LED
Controller	Premium converter, DALI
Power requirements	220–240 V, 50–60 Hz
Power input	66 W
Standby	< 0.5 W
Light distribution	60% direct, 40% indirect
Energy efficiency	This product contains light sources of energy efficiency class c
High durability	72,000 hours
Luminous efficiency	7422 lm
Colour rendition index	CRI Ra > 82
Light colour	Neutral white 4000 K, Nr. 45410 4 65 Warm white 3000 K, Nr. 45410 3 65
Glare suppression	UGR < 17
Materials	Brim of illumination head made of steel, white powder-coated
Cover of illuminant	Structured acrylic glass
Weight	ca. 4.3 kg
Power cable	3 m, 5-polig
Protection rating	IP 20
Test marks	ENEC TÜV SÜD, CE, ROHS
Warranty	2 years, 5 years on LED and converter
Particularities	– Optionally with daylight sensor and presence detector
Note	(3000 K ca. 10 lm/W less than at 4000 K)

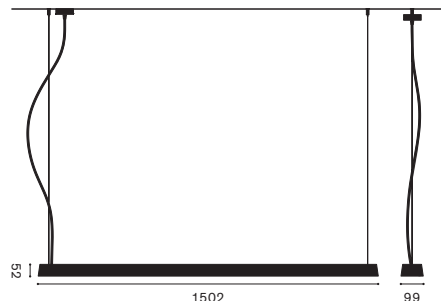
Light intensity distribution



— Lateral light intensity distribution  
- - - Frontal light intensity distribution

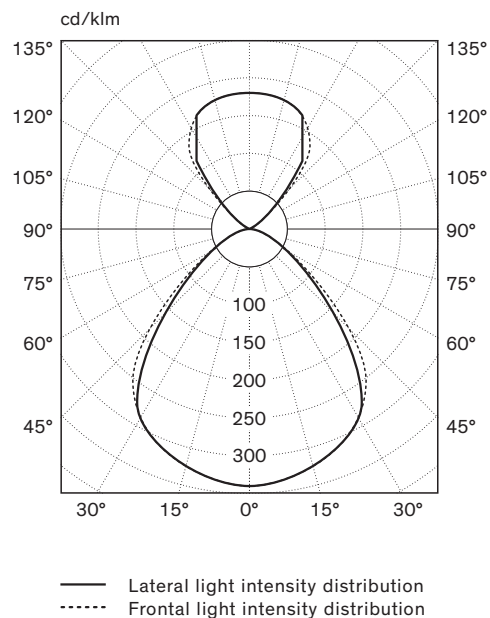


Models	Nr. 45410 4 80 Nr. 45410 3 80
Dimensions	H 52 mm W 99 mm L 1502 mm



Contents	LED
Controller	Premium converter, DALI
Power requirements	220–240 V, 50–60 Hz
Power input	82 W
Standby	< 0.5 W
Light distribution	67% direct, 33% indirect
Energy efficiency	This product contains light sources of energy efficiency class c
High durability	72,000 hours
Luminous efficiency	9784 lm
Colour rendition index	CRI Ra > 82
Light colour	Neutral white 4000 K, Nr. 45410 4 80 Warm white 3000 K, Nr. 45410 3 80
Glare suppression	UGR < 18
Materials	Brim of illumination head made of steel, powder-coated
Cover of illuminant	Structured acrylic glass
Weight	ca. 4.3 kg
Power cable	3 m, 5-polig
Protection rating	IP 20
Test marks	ENEC TÜV SÜD, CE, ROHS
Warranty	2 years, 5 years on LED and converter
Particularities	– Optionally with daylight sensor and presence detector
Note	(3000 K ca. 10 lm/W less than at 4000 K)

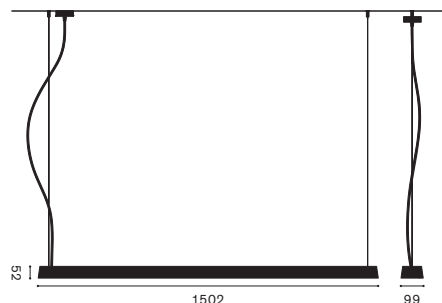
Light intensity distribution





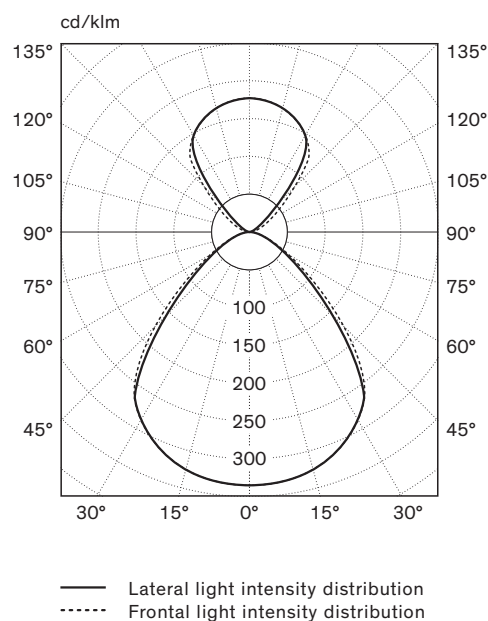


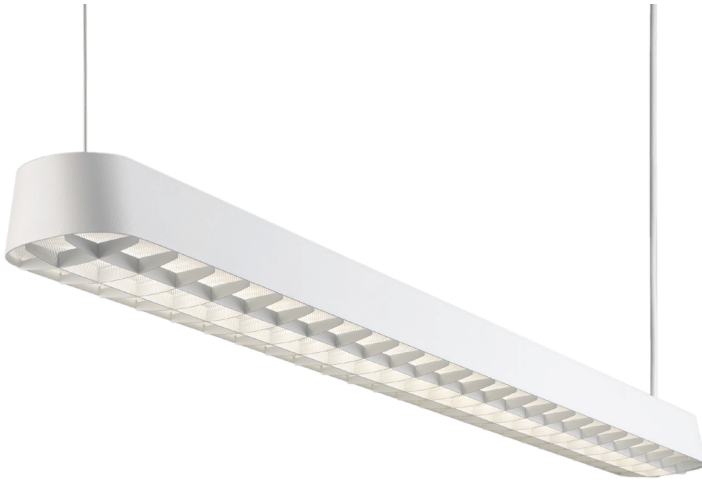
Models	Nr. 45420 4 40 Nr. 45420 3 40
Dimensions	H 52 mm W 99 mm L 1502 mm



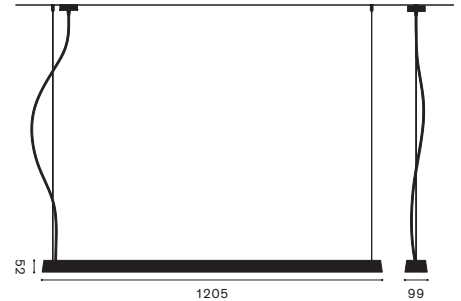
Contents	LED
Controller	Premium converter
Power requirements	220–240V, 50–60 Hz
Power input	41 W
Standby	< 0.5 W
Light distribution	67% direct, 33% indirect
Energy efficiency	This product contains light sources of energy efficiency class c
High durability	72,000 hours
Luminous efficiency	5001 lm
Colour rendition index	CRI Ra > 82
Light colour	Neutral white 4000 K, Nr. 45420 4 40 Warm white 3000 K, Nr. 45420 3 40
Glare suppression	UGR < 16
Materials	Brim of illumination head made of steel, white powder-coated
Cover of illuminant	Structured acrylic glass
Weight	ca. 4.3 kg
Power cable	3 m, 5-polig
Protection rating	IP 20
Test marks	ENEC TÜV SÜD, CE, ROHS
Warranty	2 years, 5 years on LED and converter
Particularities	– With motion detector and constant light control – Daylight sensor and presence detector (3000 K ca. 10 lm/W less than at 4000 K)
Note	

Light intensity distribution



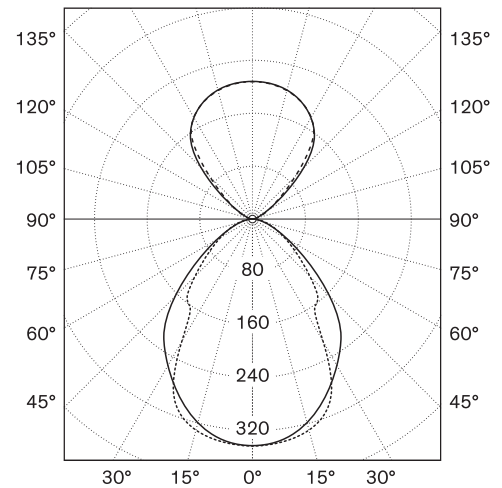


Models	Nr. 44510 4 40 Nr. 44410 3 40
Dimensions	H 52 mm W 99 mm L 1205 mm



Contents	LED
Controller	Premium converter, DALI
Power requirements	220–240 V, 50–60 Hz
Power input	37 W
Standby	< 0.5 W
Light distribution	59% direct, 41% indirect
Energy efficiency	This product contains light sources of energy efficiency class C
Luminous efficiency	4395 lm
Colour rendition index	CRI Ra > 83
Light colour	Neutral white 4000 K, Nr. 44510 4 40 Warm white 3000 K, Nr. 44510 3 40
Glare suppression	UGR < 16
Operation	Dimmable with DALI
Materials	Brim of illumination head made of steel, powder-coated
Cover of illuminant	Structured acrylic glass
Weight	ca. 3.5 kg
Power cable	3 m, 5-polig
Protection rating	IP 20
Test marks	ENEC TÜV SÜD, CE, ROHS
Warranty	2 years, 5 years on LED and converter
Particularities	– Optionally with daylight sensor and presence detector
Note	(3000 K ca. 10 lm/W less than at 4000 K)

Light intensity distribution  
cd / klm



— Lateral light intensity distribution  
- - - Frontal light intensity distribution

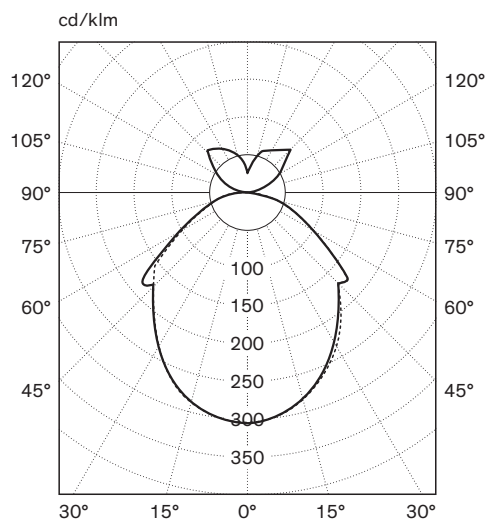


Model Nr. 331 01 075  
 Dimensions Ø 452 mm  
 H 1648 mm



Light socket	E27
Power requirements	230 V, 50 Hz
Power input	max. 15 W
Materials	Pleated lampshade sheet metal slats, white powder coated, carried by a thin tube, massive concrete pedestal with a natural finish
Cover of illuminant	Opaque acrylic glass
Weight	ca. 17.4 kg
Power cable	ca. 3 m
Protection rating	IP20
Test marks	TÜV, CE, ROHS
Warranty	2 years

Example of light intensity distribution at 15 W

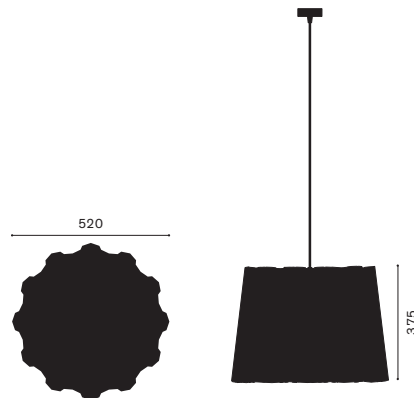


— Lateral light intensity distribution  
 ..... Frontal light intensity distribution

Contents	E27, e.g. 15 W
Energy class lamp	see illuminant
Light colour	Warm white 2700 K
Note	dimnable, ON/OFF For further technical information please refer to the description of the light source



Model Nr. 314 02 075  
 Dimensions Ø 520 mm  
 H 375 mm

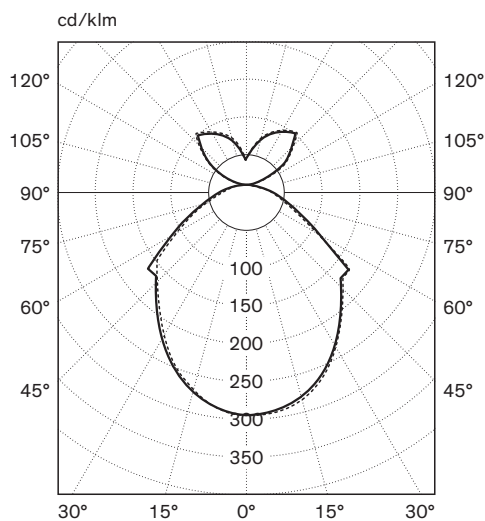


Light socket	E27
Power requirements	230 V, 50 Hz
Power input	max. 15 W
Materials	Pleated lampshade sheet metal slats, white powder coated
Cover of illuminant	Opaque acrylic glass
Weight	ca. 5 kg
Power cable	ca. 3 m
Protection rating	IP20
Test marks	TÜV, CE, ROHS
Warranty	2 years
Accessories	Ceiling fixture, canopy, chrome steel wires

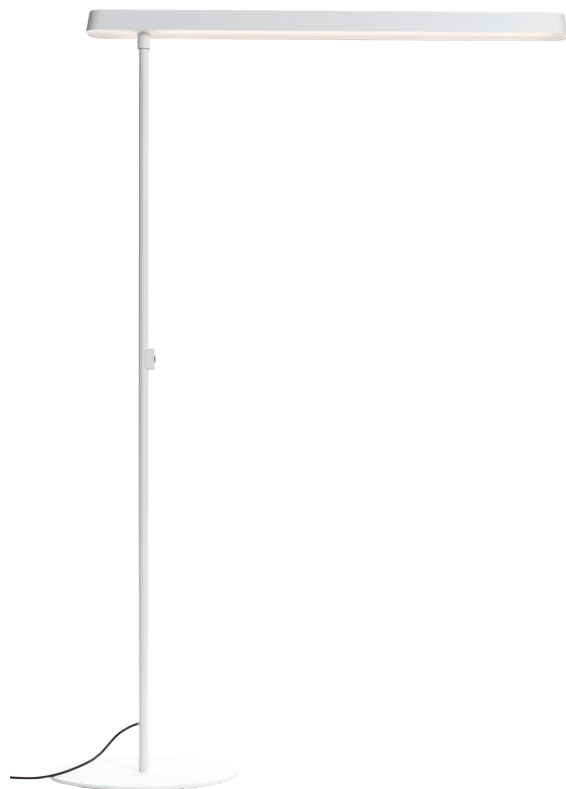
Contents	E27, e.g. 15 W
Energy class lamp	see illuminant
Light colour	Warm white 2700K

Note For further technical information please refer to the description of the light source

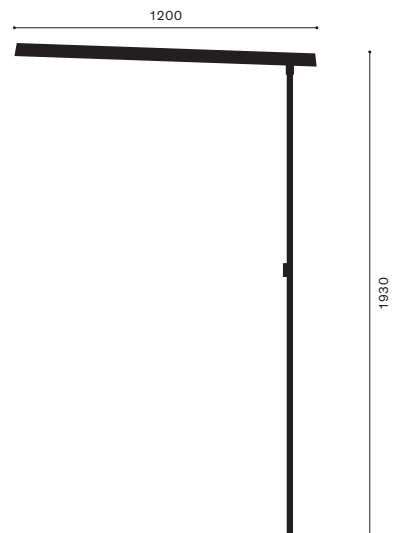
Example of light intensity distribution at 15 W



— Lateral light intensity distribution  
 - - - - Frontal light intensity distribution



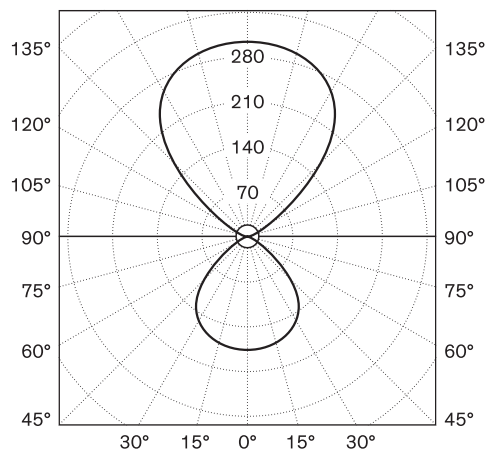
Models	Nr. 720 16 4 75 Nr. 720 16 3 75
Dimensions	L 1200 mm H 1930 mm



<b>Contents</b>	<b>LED</b>
Controller	Premium converter
Power requirements	220–240 V, 50 Hz
Power input	65 W
Standby	0.5 W
Light distribution	60% direct, 40% indirect
<b>Energy class lamp</b>	This product contains light sources of energy efficiency class C
High durability	72,000 hours
Luminous efficiency	7497 lm
Colour rendition index	CRI Ra > 92
Light colour	Neutral white 4000 K, Nr. 720 16 4 75 Warm white 3000 K, Nr. 720 16 3 75
Glare suppression	Structured acrylic glass, UGR < 18
<b>Operation</b>	Dimmable with Taster
<b>Materials</b>	Tube, floor plate and lampshade in steel, powder-coated
Cover of illuminant	Structured acrylic glass
Wallcase	Contains driver
Weight	ca. 15.6 kg
<b>Protection rating</b>	IP 20
Test marks	ENEC TÜV SÜD, CE, ROHS
Warranty	2 years, 5 years on LED and converter
<b>Particularities</b>	– with a rotatable lamp head – Optionally with daylight sensor and presence detector F S – Colour according to order
<b>Notes</b>	(3000 K ca. 10 lm/W less than 4000 K)

### Light intensity distribution

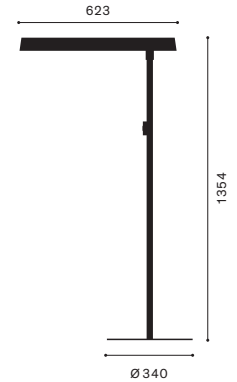
cd/klm



— Lateral light intensity distribution  
- - - Frontal light intensity distribution

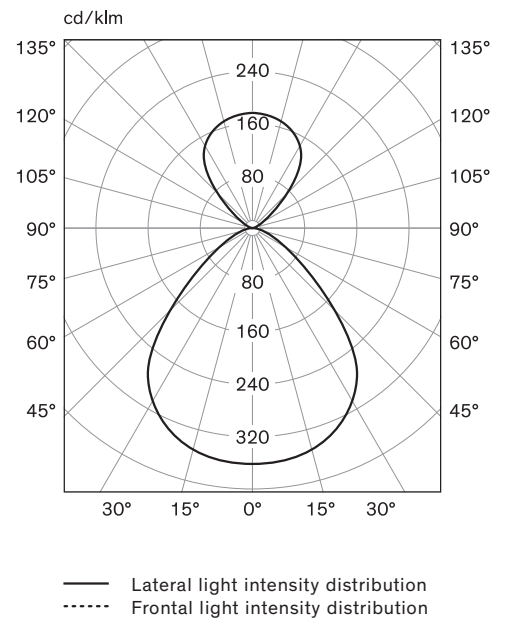


Models	Nr. 718 16 4 28 Nr. 718 16 3 28
Dimensions	L 623 mm H 1354 mm

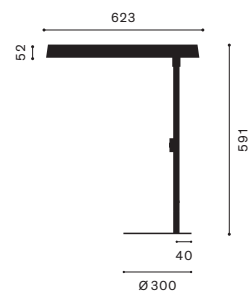


<b>Contents</b>	<b>LED</b>
Controller	Premium converter
Power requirements	220–240 V, 50 Hz
Power input	28 W
Standby	0.5 W
Light distribution	70% direct, 30% indirect
<b>Energy class lamp</b>	This product contains light sources of energy efficiency class C
High durability	72,000 hours
Luminous efficiency	2950 lm
Colour rendition index	CRI Ra > 92
Light colour	Neutral white 4000 K, Nr. 718 16 4 75 Warm white 3000 K, Nr. 718 16 3 75
Glare suppression	Structured acrylic glass, UGR < 19
<b>Operation</b>	Dimmable with Taster
<b>Materials</b>	Tube, floor plate and lampshade in steel, powder-coated
Cover of illuminant	Structured acrylic glass
Wallcase	Contains driver
Weight	ca. 8.8 kg
<b>Protection rating</b>	IP 20
Test marks	ENEC TÜV SÜD, CE, ROHS
Warranty	2 years, 5 years on LED and converter
<b>Particularities</b>	– with rotating lamp head – Standing tube short – Colour according to order
<b>Notes</b>	(3000 K ca. 10 lm/W less than 4000 K)

Light intensity distribution

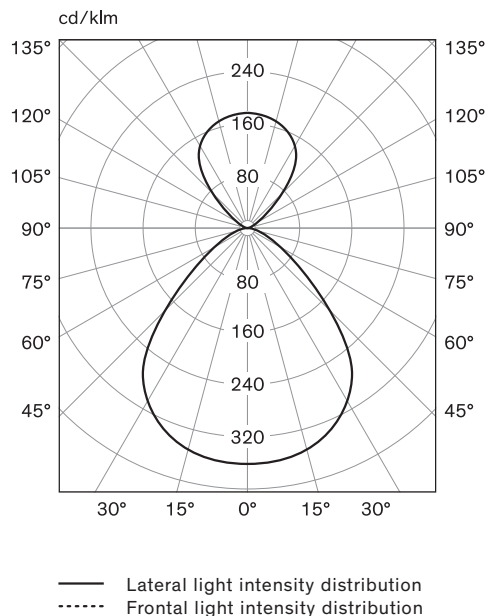


Models	Nr. 711 16 4 28 Nr. 711 16 3 28
Dimensions	L 623 mm H 591 mm



Contents	LED
Controller	Premium converter
Power requirements	220–240 V, 50 Hz
Power input	28 W
Standby	0.5 W
Light distribution	70% direct, 30% indirect
Energy class lamp	This product contains light sources of energy efficiency class C
High durability	72,000 hours
Luminous efficiency	2950 lm
Coleur rendition index	CRI Ra > 92
Light colour	Neutral white 4000 K, Nr. 711 16 4 28 Warm white 3000 K, Nr. 711 16 3 28
Glare suppress	Structured acrylic glass, UGR < 19
Operation	Dimmable with Taster
Materials	Tube, floor plate and lampshade in steel, powder-coated
Cover of illuminant	Structured acrylic glass
Wallcase	Contains driver
Weight	ca. 11 kg
Protection rating	IP 20
Test marks	ENEC TÜV SÜD, CE, ROHS
Warranty	2 years, 5 years on LED and converter
Particularities	– with rotating lamp head and base – Colour according to order
Notes	(3000 K ca. 10 lm/W less than 4000 K)

Light intensity distribution

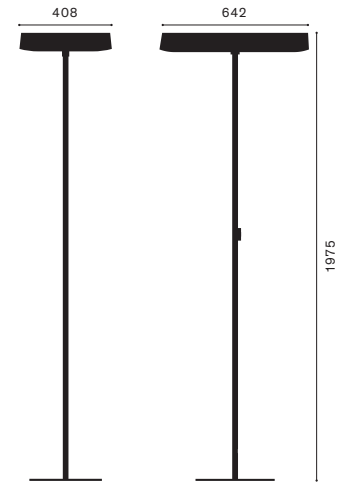






Models  
Nr. 39161 4 97  
Nr. 39161 3 97

Dimensions  
H 1975 mm  
W 408 mm  
L 642 mm



<b>Contents</b>	<b>LED</b>
Controller	Premium converter
Power requirements	220–240 V, 50 Hz
Power input	132 W
Standby	0.5 W
Light distribution	30% direct, 70% indirect
<b>Energy efficiency</b>	This product contains light sources of energy efficiency class c
High durability	72,000 hours
Luminous efficiency	15462 lm
Colour rendition index	CRI Ra > 83
Light colour	Neutral white 4000 K, Nr. 39161 4 97 Warm white 3000 K, Nr. 39161 3 97
Glare suppression	UGR < 12
<b>Operation</b>	DALI direct and indirect light can be individually switched and dimmed, with a motion and an ambient light sensor
<b>Materials</b>	Lampshade, wallcase an anti-glare grid in steel, powder-coated
<b>Weight</b>	ca. 19.4 kg
<b>Protection rating</b>	IP 20
Test marks	ENEC TÜV SÜD, CE, ROHS
Warranty	2 years, 5 years on LED and converter
<b>Particularities</b>	– For 2 to 4 workplaces – Double taster – With daylight sensor
<b>Note</b>	(3000 K ca. 10 lm/W less than at 4000 K)

### Light intensity distribution

